

Singer 31-44

Form 19691

(841)

Printed in U. S. A.

LIST OF PARTS



MACHINE No. 31-44

THE SINGER MANUFACTURING COMPANY

INSTRUCTIONS FOR OILING

To insure easy running and prevent unnecessary wear of the parts which are in movable contact, the machine requires oiling and when in continuous use, it should be oiled at least twice a day.

Apply "Singer Oil for High Speed Sewing Machines" (Cloth and Leather) to all oil holes marked "OIL" and to other places where parts are in moving contact.

Copyright, U. S. A., 1939 and 1941
by The Singer Manufacturing Co.
All Rights Reserved for all Countries

INDEX

	Page
Attachments and Accessories.....	17
Belt Guards.....	17
Bobbin Winders.....	18 and 19
Edge Guide (Roller).....	20
Feller (Foot).....	20
Finger Guards.....	20
Foot Lifter Parts.....	21
Guides.....	22
Guide (Adjustable) Hinged.....	22
Knee Lifter Parts.....	22
Machine Base.....	23
Machine No. 31-44.....	7
Numerical List of Parts.....	27
Roller Pressers (Ball Bearing).....	25
Roller Pressers (Plain).....	24
Starting Treadle Parts.....	26
Table Belt Guide.....	26
Thread Unwinder.....	26

From the library of: Diamond Needle Corp.

INSTRUCTIONS FOR ORDERING

In ordering from this list, use ONLY the part NUMBER in the FIRST column.

The number stamped on a Sewing Machine Part is in every case the number of the single part only.

Every combination of parts sent out as such has its specific number, which, although not stamped on the parts, must be used when ordering the combination.

Each number always indicates the SAME PART in whatever list it appears, or for whatever machine.

The letters after some of the numbers indicate the style of finish only, as follows:

A-Hardened, Polished, Nickel Plated and Buffed
A.A-Buffed and Chromium Plated
A.B-Hardened, Polished, Buffed and Chromium Plated
A.C-Brown Baking Enamel Finish
A.D-Gray Baking Enamel Finish
A.E-Hardened, Bright Rumbled and Nickel Plated
A.F-Hardened, Bright Rumbled, Nickel Plated, Bright Rumbled and Chromium Plated
A.G-Alumilite, Plain
A.H-Alumilite, Dyed
A.J-Polished, Nickel Plated and Chromium Plated
A.K-Hardened, Polished, Nickel Plated and Chromium Plated
A.L-Heat Treated for Toughness
 B-Polished, Nickel Plated and Buffed
 C-Hardened Only
C.R-Hardened and Merlized
 D-Polished Only
 E-Soft, Not Polished
 F-Hardened and Polished
F.J-Hardened, Polished and Nickel Plated
 G-Bright Rumbled and Nickel Plated
 H-Blued
 J-Nickel Plated Only
 K-Hardened and Nickel Plated
 L-Brass Plated
 M-Oxidized
 N-Japanned, Dull
 P-Japanned, Bright
P.P-Wrinkle Finish
 R-Merlized
 S-Cadmium Plated
 T-Copper Plated
T.A-Hardened, Polished, Copper and Nickel Plated and Buffed
T.B-Copper and Nickel Plated and Polished
T.J-Copper and Nickel Plated Only
T.K-Hardened, Copper and Nickel Plated
T.L-Copper and Brass Plated
T.M-Copper Plated and Oxidized

INSTRUCTIONS FOR ORDERING - Continued

U-Zinc Plated
V-Silver Plated
W-Polished and Nickel Plated
X-Black Oxide, for Iron and Steel
X.C-Hardened and Black Oxide, for Iron or Steel
Y-Black Nickel Plated Only
Z-Chromium Plated
Z.A-Hardened, Polished, Nickel Plated, Buffed and Chromium Plated
Z.B-Polished, Nickel Plated, Buffed and Chromium Plated
Z.C-Hardened and Chromium Plated
Z.D-Polished and Chromium Plated
Z.G-Bright Rumbled, Nickel Plated, Bright Rumbled and Chromium Plated
Z.J-Nickel and Chromium Plated
Z.T-Copper and Chromium Plated

These letters MUST BE USED when they appear in the list; and AFTER the number as in the list.

In this series:

1 to 1500, 50001 to 51500 and 140001 to 142000 are Screw Numbers

1501 to 1800 and 51501 to 51800 are Nut Numbers

1801 to 2000 and 51801 to 52000 are Roller Numbers

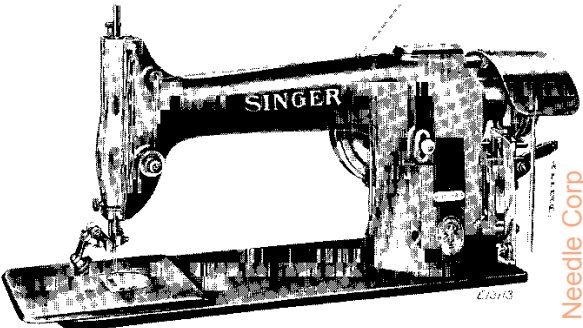
2001 to 50000 and 52001 to 140000 and 142001 to

190000 are Sewing Machine Parts, 190001 and upward are numbers of Electrical Parts.

The figures in the second column refer only to the plates, illustrating the parts, and are NOT TO BE USED in ordering.

Parts marked with an asterisk (*) are furnished only when repairs are made at factory.

LIST OF PARTS COMPLETE
FOR



MACHINE No. 31-44

For Shoes. Maximum stitch 5 to the inch. Roller presser,
Automatic stop and thread cutting mechanism. Foot lifter.
Speed 1000 R. P. M.

No.	Plate	Name
*139606	-----	Arm with 15404 and two 15405.....
8582	24051	" Dowel Pin.....
12453	24051	" Oil Tube for intermediate bearing..
11119	24051	" " " with 52045, for oiling 12408
24131	24051	" " " " 52045, for oiling 20283
12454	24051	" " " " 132590, for oiling 12409
52045	24051	" " " Packing (felt) for 11119 and 24131.....
132590	24051	Arm Oil Tube Packing (felt) for 12454...
748E	24051	" Screw (back) (2).....
854E	24051	" " (front) (2).....
44018	22344	" Shaft.....
44019	22344	" " Bevel Gear with two 454C.....
454C	22344	" " " " Set Screw (2).....
44020	22344	" " Bushing (back).....
50333C	22344	" " " " Adjusting Screw
1520E	22344	" " " " " "
		Nut.....

Genuine Singer Needles should be used
in Singer Machines.
These Needles and their Containers
are marked with the
Company's Trade Mark "SIMANCO." 1

Needles in Containers marked
"For Singer Machines"
are not Singer made needles. 2

From the library of: Diamond Needle Corp

No.	Plate	Name
12480	22347	Arm Side Cap.....
219J	22347	" " " Screw.....
139607	24051	" Top Cover.....
139608	24051	" " " 139607 with 24131 and two 139609.....
24131	24051	Arm Top Cover Oil Tube with 52045, for oiling 20197.....
139609	24051	Arm Top Cover Oil Tube with 52045, for oiling 20264 and 43976 (2).....
52045	24051	Arm Top Cover Oil Tube Packing.....
175J	24051	" " " Screw (2).....
*44021	-----	Bed.....
18498	22345	Belt Cover.....
139610	22345	" " Bracket with 446AL.....
139611	22345	" " Stud.....
430C	22345	" " " Set Screw (arm end).....
446AL	22345	Belt Cover Bracket Stud Set Screw (bracket end).....
139612	22345	Belt Cover complete, Nos. 18498, 139610, 139611 and two 217J.....
217J	22345	Belt Cover Screw (2).....
39222	24052	" Shifter.....
63976	24052	" " Clamp.....
1255D	24052	" " " Screw (2).....
44022	22345	Cloth Plate.....
50018F	22345	" " Screw (2).....
20197	22344	Crank Connecting Rod with two 896AL.....
896AL	22344	" " " Cap Screw (2).....
908C	22344	" " " Hinge Screw.....
1619E	22344	" " " Nut....
20057	22346	Face Plate.....
12150	22346	" " Thread Guard (lower) with 12152
12152	22346	" " " " Rivet....
139615	22346	" " " " (upper) with 125424.....
125424	22346	Face Plate Thread Guard (upper) Rivet...
20058	22346	Face Plate complete, Nos. 12150, 20057 and 139615.....
190J	22346	Face Plate Screw.....
51224J	22346	" " Thumb Screw.....
44023	22347	Feed Bar.....
313C	22347	" " Screw Center (2).....
56813	-----	" " " 313C with 1519J (2)
1519J	22347	" " " Nut (2).....
52165	22344	" Connecting Link.....
375C	22344	" " " Hinge Screw (2)...
1518J	22344	" " " Nut (2)
44153	22346	" Dog, 8 teeth (12 teeth to the inch) for 44142.....

No.	Plate	Name
44024	22346	Feed Dog, 11 teeth (16 teeth to the inch) for 44142.....
208AL	22346	Feed Dog Screw (2).....
20283	22344	" and Feed Lifting Eccentric with 446AL.....
446AL	22344	Feed and Feed Lifting Eccentric Set Screw.....
127152	22344	Feed and Feed Lifting Eccentric Sleeve..
20284	22344	" Forked Connection.....
375C	22344	" " " Hinge Screw.....
1518J	22344	" " " " Nut..
44025	22347	" Lifting Rock Shaft.....
44026	22347	Feed Lifting Rock Shaft complete, Nos. 3043, 3166 and 44025.....
3043	22347	Feed Lifting Rock Shaft Crank (back) with 462AL.....
462AL	22347	Feed Lifting Rock Shaft Crank (back) Set Screw.....
3166	22347	Feed Lifting Rock Shaft Crank (front) with 157J and 1813.....
157J	22347	Feed Lifting Rock Shaft Crank (front) Clamping Screw.....
1813	22347	Feed Lifting Rock Shaft Crank (front) Roller and Stud.....
43976	22344	Feed Lifting Rock Shaft Crank Connecting Rod with two 966E.....
966E	22344	Feed Lifting Rock Shaft Crank Connecting Rod Cap Screw (2).....
375C	22344	Feed Lifting Rock Shaft Crank Connecting Rod Hinge Screw.....
1518J	22344	Feed Lifting Rock Shaft Crank Connecting Rod Hinge Screw Nut.....
307C	22347	Feed Lifting Rock Shaft Screw Center (2)
56614	-----	" " " " " " " 307C with 1513J (2).....
1513J	22347	Feed Lifting Rock Shaft Screw Center Nut (2).....
3039	22344	Feed Regulator.....
1128E	22344	" " Hinge Screw.....
818D	22344	" " Thumb Screw.....
12379	22347	" Rock Shaft.....
20333	-----	Feed Rock Shaft complete, Nos. 12379 and 29633.....
29633	22347	Feed Rock Shaft Crank with 157J.....
157J	22347	" " " " Clamping Screw....
307C	22347	" " " Screw Center (2).....
56814	-----	" " " " " " 307C with 1513J (2).....
1513J	22347	Feed Rock Shaft Screw Center Nut (2)...
44027	22346	Knife (needle thread).....

No.	Plate	Name
44028	22348	Knife (shuttle thread).....
44029	22348	" Bar.....
44030	-----	Knife Bar complete, Nos. 17814, 44029, 44033, 44047, 44048, 44050 and two 50253D.....
44031	22348	Knife Bar Cap (back) with 44050.....
193D	22348	" " " " Screw (2).....
44032	22348	" " " (front).....
193D	22348	" " " " Screw (2).....
44033	22348	" " Connection.....
17814	22348	" " " Rivet.....
50253D	22348	" " " Screw (2).....
44034	22348	" " Disengaging Lever with 44040 and two 197D.....
44035	22348	Knife Bar Disengaging Lever Extension with 337D, 1297F and 44087.....
230D	22348	Knife Bar Disengaging Lever Extension Screw (2).....
44036	22348	Knife Bar Disengaging Lever Hinge Pin...
44037	22348	" " " " Latch with 44039.....
44038	22348	Knife Bar Disengaging Lever Latch Con- necting Link.....
110D	22348	Knife Bar Disengaging Lever Latch Con- necting Link Hinge Screw (latch end)
110D	22348	Knife Bar Disengaging Lever Latch Con- necting Link Hinge Screw (starting lever extension end).....
90C	22348	Knife Bar Disengaging Lever Latch Hinge Screw.....
15514	22348	Knife Bar Disengaging Lever Spring.....
44039	22348	" " " " " Hook.
1297F	22348	" " " " " Screw
44040	22348	" " " " " Tripping Point
197D	22348	" " " " " Screw (2).....
44041	22348	Knife Bar Driving Lever with 190D, 1420E, 17919 and 39298.....
44042	22348	Knife Bar Driving Lever Hinge Stud.....
44043	22348	" " " " " Bracket with 44042.....
158E	22348	Knife Bar Driving Lever Hinge Stud Bracket Screw (2).....
39298	22348	Knife Bar Driving Lever Lock Stud.....
17919	22348	" " " " " Spring
190D	22348	" " " " " "
		Screw.....
1420E	22348	Knife Bar Driving Lever Lock Stud Stop Screw.....
44044	22348	Knife Bar Extension.....

No.	Plate	Name
44045	22348	Knife Bar Extension 44044 with 44046 and two 17822.....
190D	22348	Knife Bar Extension Screw (2).....
7071	22348	" " " " Washer (2)...
44046	22348	" " Rack.....
17822	22348	" " " Rivet (2).....
17915	22348	" " Slide Block.....
44047	-----	" " " " 17915 with 44049..
44048	22348	" " " " Plate.....
17814	22348	" " " " Rivet.....
44049	22348	" " " " Stud.....
8734	22348	" " Spring.....
44050	22348	" " " Hook (2).....
44258	22349	" Cam with two each 219K, 44063, 44084 and four 190K.....
44259	-----	Knife Cam 44258 with 2049, 44052, 44053, 44055, 44056, 44062, 44260, 46224, 50254F, two each 1053E, 1650C, 49109, 51192E, 59455 and six 337J.....
44052	22349	Knife Cam Driving Shaft and Gear.....
44053	22349	" " " " Bevel Gear.....
2049	22349	" " " " " Pin
44260	22349	" " Gear.....
44055	22349	" " " Cover.....
44056	22349	" " " " Extension.....
1053E	22349	" " " " Screw (2)
337J	22349	" " " " Screw (6).....
49109	22349	" " " " Spacing Washer (2)
51192E	22349	" " " " Screw (2).....
1650C	22349	" " " " Nut (2).....
59455	22349	" " " " Washer (2).....
50254F	22349	" " Hinge Screw with 46224.....
46224	22349	" " " " Oil Cup.....
44057	22348	" " Lever.....
44058	22348	Knife Cam Lever complete, Nos. 44034, 44036, 44057 and 44059.....
44232	22348	Knife Cam Lever Hinge Stud.....
453AL	22348	" " " " " Set Screw (2)
1954	22348	" " " " Roller and Stud.....
44059	22348	" " " " Arm with 1954 and two 175D.....
175D	22348	Knife Cam Lever Roller Arm Cap Screw (2)
145D	22348	" " " " Stop Screw.....
44061	22348	" " " " " Bracket.....
14024	22348	" " " " " Dowel Pin.....
217K	22348	Knife Cam Lever Stop Screw Bracket Screw
1718E	22348	" " " " " Lock Nut.....
44062	22349	" " Plate.....
8589	22349	" " " Dowel Pin (2).....

No.	Plate	Name
12480	22347	Arm Side Cap.....
219J	22347	" " " Screw.....
139607	24051	" Top Cover.....
139608	24051	" " " 139607 with 24131 and two 139609.....
24131	24051	Arm Top Cover Oil Tube with 52045, for oiling 20197.....
139609	24051	Arm Top Cover Oil Tube with 52045, for oiling 20284 and 43976 (2).....
52045	24051	Arm Top Cover Oil Tube Packing.....
175J	24051	" " " Screw (2).....
*44021	-----	Bed.....
18498	22345	Belt Cover.....
139610	22345	" " Bracket with 446AL.....
139611	22345	" " " Stud.....
430C	22345	" " " Set Screw (arm end).....
446AL	22345	Belt Cover Bracket Stud Set Screw (bracket end).....
139612	22345	Belt Cover complete, Nos. 18498, 139610, 139611 and two 217J.....
217J	22345	Belt Cover Screw (2).....
39222	24052	" Shifter.....
63976	24052	" " Clamp.....
1255D	24052	" " " Screw (2).....
44022	22345	Cloth Plate.....
50018F	22345	" " " Screw (2).....
20197	22344	Crank Connecting Rod with two 896AL.....
896AL	22344	" " " Cap Screw (2).....
908C	22344	" " " Hinge Screw.....
1619E	22344	" " " Nut.....
20057	22346	Face Plate.....
12150	22346	" " Thread Guard (lower) with 12152
12152	22346	" " " " Rivet.....
139615	22346	" " " " (upper) with 125424.....
125424	22346	Face Plate Thread Guard (upper) Rivet...
20058	22346	Face Plate complete, Nos. 12150, 20057 and 139615.....
190J	22346	Face Plate Screw.....
51224J	22346	" " Thumb Screw.....
44023	22347	Feed Bar.....
313C	22347	" " " Screw Center (2).....
56813	-----	" " " " 313C with 1519J (2)
1519J	22347	" " " " Nut (2).....
52165	22344	" Connecting Link.....
375C	22344	" " " Hinge Screw (2)...
1518J	22344	" " " " Nut (2)
44153	22346	" Dog, 8 teeth (12 teeth to the inch) for 44142.....

No.	Plate	Name
44024	22346	Feed Dog, 11 teeth (16 teeth to the inch) for 44142.....
208AL	22346	Feed Dog Screw (2).....
20283	22344	" and Feed Lifting Eccentric with 446AL.....
446AL	22344	Feed and Feed Lifting Eccentric Set Screw.....
127152	22344	Feed and Feed Lifting Eccentric Sleeve...
20284	22344	" Forked Connection.....
375C	22344	" " " Hinge Screw.....
1518J	22344	" " " " Nut..
44025	22347	" Lifting Rock Shaft.....
44026	22347	Feed Lifting Rock Shaft complete, Nos. 3043, 3166 and 44025.....
3043	22347	Feed Lifting Rock Shaft Crank (back) with 462AL.....
462AL	22347	Feed Lifting Rock Shaft Crank (back) Set Screw.....
3166	22347	Feed Lifting Rock Shaft Crank (front) with 157J and 1813.....
157J	22347	Feed Lifting Rock Shaft Crank (front) Clamping Screw.....
1813	22347	Feed Lifting Rock Shaft Crank (front) Roller and Stud.....
43976	22344	Feed Lifting Rock Shaft Crank Connecting Rod with two 966E.....
966E	22344	Feed Lifting Rock Shaft Crank Connecting Rod Cap Screw (2).....
375C	22344	Feed Lifting Rock Shaft Crank Connecting Rod Hinge Screw.....
1518J	22344	Feed Lifting Rock Shaft Crank Connecting Rod Hinge Screw Nut.....
307C	22347	Feed Lifting Rock Shaft Screw Center (2)
56814	-----	" " " " " 307C with 1513J (2).....
1513J	22347	Feed Lifting Rock Shaft Screw Center Nut (2).....
3039	22344	Feed Regulator.....
1128E	22344	" " Hinge Screw.....
818D	22344	" " Thumb Screw.....
12379	22347	" Rock Shaft.....
20333	-----	Feed Rock Shaft complete, Nos. 12379 and 29633.....
29633	22347	Feed Rock Shaft Crank with 157J.....
157J	22347	" " " Clamping Screw...
307C	22347	" " " Screw Center (2).....
56814	-----	" " " " " 307C with 1513J (2).....
1513J	22347	Feed Rock Shaft Screw Center Nut (2)...
44027	22346	Knife (needle thread).....

No.	Plate	Name
44028	22348	Knife (shuttle thread).....
44029	22348	" Bar.....
44030	-----	Knife Bar complete, Nos. 17814, 44029, 44033, 44047, 44048, 44050 and two 50253D.....
44031	22348	Knife Bar Cap (back) with 44050.....
193D	22348	" " " " Screw (2).....
44032	22348	" " " (front).....
193D	22348	" " " " Screw (2).....
44033	22348	" " Connection.....
17814	22348	" " " Rivet.....
50253D	22348	" " " Screw (2).....
44034	22348	" " Disengaging Lever with 44040 and two 197D.....
44035	22348	Knife Bar Disengaging Lever Extension with 337D, 1297F and 44087.....
230D	22348	Knife Bar Disengaging Lever Extension Screw (2).....
44036	22348	Knife Bar Disengaging Lever Hinge Pin...
44037	22348	" " " Latch with 44039.....
44038	22348	Knife Bar Disengaging Lever Latch Con- necting Link.....
110D	22348	Knife Bar Disengaging Lever Latch Con- necting Link Hinge Screw (latch end)
110D	22348	Knife Bar Disengaging Lever Latch Con- necting Link Hinge Screw (starting lever extension end).....
90C	22348	Knife Bar Disengaging Lever Latch Hinge Screw.....
15514	22348	Knife Bar Disengaging Lever Spring.....
44039	22348	" " " " " Hook.
1297F	22348	" " " " " Screw
44040	22348	" " " " " Tripping Point
197D	22348	" " " " " "
		Screw (2).....
44041	22348	Knife Bar Driving Lever with 190D,1420E, 17919 and 39298.....
44042	22348	Knife Bar Driving Lever Hinge Stud.....
44043	22348	" " " " " Bracket with 44042.....
158E	22348	Knife Bar Driving Lever Hinge Stud Bracket Screw (2).....
39298	22348	Knife Bar Driving Lever Lock Stud.....
17919	22348	" " " " " Spring
190D	22348	" " " " " "
		Screw.....
1420E	22348	Knife Bar Driving Lever Lock Stud Stop Screw.....
44044	22348	Knife Bar Extension.....

No.	Plate	Name
44045	22348	Knife Bar Extension 44044 with 44046 and two 17822.....
190D	22348	Knife Bar Extension Screw (2).....
7071	22348	" " " " Washer (2)...
44046	22348	" " Rack.....
17822	22348	" " " Rivet (2).....
17915	22348	" " Slide Block.....
44047	-----	" " " " 17915 with 44049..
44048	22348	" " " " Plate.....
17814	22348	" " " " Rivet.....
44049	22348	" " " " Stud.....
8734	22348	" " Spring.....
44050	22348	" " " Hook (2).....
44258	22349	" Cam with two each 219K,44063,44084 and four 190K.....
44259	-----	Knife Cam 44258 with 2049, 44052, 44056, 44055, 44056, 44062, 44260, 46224, 50254F, two each 1053E,1650C,49109, 51192E, 59455 and six 337J.....
44052	22349	Knife Cam Driving Shaft and Gear.....
44053	22349	" " " " Bevel Gear.....
2049	22349	" " " " " Pin
44260	22349	" " Gear.....
44055	22349	" " " Cover.....
44056	22349	" " " " Extension.....
1053E	22349	" " " " Screw (2)
337J	22349	" " " " Screw (6).....
49109	22349	" " " " Spacing Washer (2)
51192E	22349	" " " " Screw (2).....
1650C	22349	" " " " Nut (2).....
59455	22349	" " " " Washer (2).....
50254F	22349	" " Hinge Screw with 46224.....
46224	22349	" " " " Oil Cup.....
44057	22348	" " Lever.....
44058	22348	Knife Cam Lever complete, Nos. 44034, 44036, 44057 and 44059.....
44232	22348	Knife Cam Lever Hinge Stud.....
453AL	22348	" " " " " Set Screw (2)
1954	22348	" " " " Roller and Stud.....
44059	22348	" " " " Arm with 1954 and two 175D.....
175D	22348	Knife Cam Lever Roller Arm Cap Screw (2)
145D	22348	" " " " Stop Screw.....
44061	22348	" " " " " Bracket.....
14024	22348	" " " " " Dowel Pin.....
217K	22348	Knife Cam Lever Stop Screw Bracket Screw
1718E	22348	" " " " " Lock Nut.....
44062	22349	" " Plate.....
8589	22349	" " " Dowel Pin (2).....

From the Library of Diamond Needle Supply

No.	Plate	Name
129E	22349	Knife Cam Plate Screw (2).....
44063	22349	" " Tripping Point (2).....
190K	22349	" " " " Screw (4).....
44064	22346	" Holder with two 7298.....
7298	22346	" " Pinion Dowel Pin (2).....
17827	22346	" " " Stud.....
44065	22346	" " " Bracket with 17827.....
50018F	22346	Knife Holder Pinion Stud Bracket Screw..
1698H	22346	" " " " " Nut
1198C	22346	" Screw.....
12448	22350	Needle Bar (hollow).....
43997	22350	" " Connecting Link with 794E and 12384.....
794E	22350	Needle Bar Connecting Link Adjusting Screw.....
12384	22350	Needle Bar Connecting Stud with 453AL and 1904.....
1904	22350	Needle Bar Connecting Stud Roller (roller only).....
453AL	22350	Needle Bar Connecting Stud Set Screw....
20188	22344	" " Crank with 858AL and 1065C...
1065C	22344	" " " Position Screw.....
858AL	22344	" " " Set Screw.....
936E	22350	" " Screw Bushing (2).....
44245	22350	" " Thread Guard.....
233D	22350	" " " Screw.....
2167	22350	" Clamp with 196F.....
196F	22350	" Screw.....
24105	22344	Oscillating Rock Shaft complete, Nos. 4784 and 12388.....
139602	-----	Oscillating Rock Shaft 24105 with 908C..
12388	22344	" " " Hinge Pin.....
448AL	22344	" " " " " Set Screw.....
4784	22344	Oscillating Rock Shaft Oil Pad.....
12389	22347	" Shaft.....
19496	-----	" Crank for 19447.....
44134	-----	" " for 44135.....
19447	-----	Oscillating Shaft Crank complete, Nos. 457AL, 1518E, 19449 and 19496.....
44135	22347	Oscillating Shaft Crank complete, Nos. 1518E, 19449, 44134 and two 453AL...
457AL	-----	Oscillating Shaft Crank Set Screw for 19447.....
453AL	22347	Oscillating Shaft Crank Set Screw for 44135 (2).....
19448	-----	Oscillating Shaft Crank Slide Block....
226J	22347	" " " " Cap Screw.....

No.	Plate	Name
12424	22347	Oscillating Shaft Crank Slide Block Cap Screw Washer.....
988C	22347	Oscillating Shaft Crank Slide Block Screw Stud.....
1518E	22347	Oscillating Shaft Crank Slide Block Screw Stud Nut.....
19449	22347	Oscillating Shaft Crank Slide Block com- plete, Nos. 226J, 988C, 12424 and 19448
12391	22350	Presser Bar (hollow).....
20059	22350	" " Guide Bracket with 453AL....
453AL	22350	" " " " Set Screw.....
52016	22350	" " Lifter.....
689C	22350	" " " Screw.....
1520J	22350	" " " Nut.....
12327	22350	" " Lifting and Releasing Lever Bracket.....
11167	22350	Presser Bar Spring (light) .051 wire..
Note: No. 11167 is sent with this Machine unless another Spring is specified on order.		
12139	-----	Presser Bar Spring (medium) .065 wire.
20023	-----	" " " (heavy) .063 wire...
11170	22350	" " " Washer.....
688J	22350	Pressure Regulating Thumb Screw.....
68712	22344	Pulley (loose) 2 3/4 in. diam., with 200584D.....
68713	-----	Pulley (loose) 68712 with 68714.....
68714	22344	" " Ball Bearing.....
68715	22344	" " Bushing.....
51387R	22344	" Cap Screw.....
200584D	22344	" Oil Hole Plug Screw.....
68716	22344	" (tight) 2 7/8 in. diam.....
2022	22344	" Pin.....
44066	-----	Pulleys complete, Nos. 1206C, 44075, 51387R, 68713, 68715 and 68716....
1841	22350	Roller, 7/8 in. diam., 9/64 in. face, fine, with 652D and 1528J.....
12256	22350	Roller Arm.....
440F	22350	" Adjusting Screw.....
15446	-----	" " " 440F with 1547J.....
1547J	22350	Roller Arm Adjusting Screw Nut.....
2206	22350	" " Bracket.....
316F	22350	" " " Screw Center (2)....
15444	-----	" " " " 316F with 1547J (2).....
1547J	22350	Roller Arm Bracket Screw Center Nut (2)
2205	22350	" " Lock Spring.....
176J	22350	" " " " Screw.....
1549J	22350	" " " " Nut.....
44067	22350	Roller Presser complete, 7/8 in. diam., 9/64 in. face, fine roller, Nos. 176J, 1549J, 1841, 2205, 2206, 12256, 15446 and two 15444.....

BELT GUARDS

No.	Plate	Name
162D	22332	Belt Guard Extension Screw.....
9331	22332	" " " Washer.....
1480D	22332	" " Retaining Screw.....
50551J	22332	" " Set Screw.....
126365	22332	Belt Guard (adjustable) complete, Nos. 162D, 1480D, 9331, 50551J, 126366, 126363, 126364 and two wood screws 1 in. No. 10.....

BOBBIN WINDERS

BOBBIN WINDER

(SWINGING AUTOMATIC, RIGHT HAND)

FOR 2996 FOR STAND

No.	Plate	Name
27540	24053	Base.....
15072	24053	Bobbin Position Pin.....
27302	24053	Frame.....
50356D	24053	" Hinge Screw.....
1620J	24053	" " " Nut.....
27303	-----	" Spring.....
27541	24053	Pulley.....
27538	24053	Spindle with 15072 and 41828.....
41828	24053	" Collar Pin.....
27306	24053	Spool Pin.....
27307	24053	" Stand.....
27308	24053	Spool Stand complete, Nos. 418E, 1562J, 2106, 10141, 11241, 27306, 27307 and two each 2455 and wood screws 1 in. No. 10.....
11241	24063	Spool Washer (cloth).....
27312	24053	Stop Latch.....
35D	24053	" " Hinge Screw.....
2455	24053	Tension Disc (2).....
1562J	24053	" Regulating Thumb Nut.....
418E	24053	" Screw Stud.....
10141	24053	" Spring.....
2106	24053	" Thread Guide.....
27647	24053	Bobbin Winder, Nos. 35D, 1620J, 27302, 27303, 27312, 27538, 27540, 27541, 50356D and two wood screws 1 in. No. 7.....
27544	24053	Bobbin Winder (swinging automatic, right hand) complete, Nos. 27308 and 27647

BOBBIN WINDER

(SWINGING AUTOMATIC, RIGHT HAND)

FOR POWER TABLE FOR ROUND BELT

No.	Plate	Name
259428	23217	Brake (leather).....
259429	23217	" Clamp.....
200113F	23217	" " Screw.....
225453	23217	Frame with 202277 and 225438.....
225454	23217	" Hinge Pin.....
202277	23217	" Oil Packing (wick).....
225438	23217	" " Well Cap.....
225455	23217	" Spring.....
225456	23217	" " Plunger.....
225368	23217	Pulley with 200380C.....
200380C	23217	" Set Screw.....
225381	23217	Spindle.....
225444	23217	Stop Latch.....
200056E	23217	" " Screw.....
225458	23217	" " Thumb Lever.....
225459	23217	" " " Hinge Stud.....
225459	23217	" " " Joint Stud.....
202478	23217	" " Trip Lever.....
200299H	23217	" " " Hinge Screw.....
225461	23217	Tension Bracket with 201499B.....
200082D	23217	" " Screw.....
228026	23217	" " Washer.....
2102	23217	" Disc (2).....
13710	23217	" Spring.....
201499B	23217	" Stud.....
201572B	23217	" Thumb Nut.....
225462	23217	Bobbin Winder Tension Bracket complete, Nos. 13710, 201572B, 225461 and two 2102.....
259430	23217	Bobbin Winder and Tension Bracket Base..
259431	23217	Bobbin Winder complete, Nos. 200056E, 200082D, 200113F, 200299H, 202478, 225368, 225381, 225444, 225453 to 225456, 225458, 225462, 228026, 259428 to 259430, two each 225459 and wood screws 3/4 in. No. 12 R.H.B.

From the library of Diamond Needle Corp.

EDGE GUIDE (Roller)

No.	Plate	Name
26803	22336	Edge Guide Bed with 2362.....
220J	22336	" " Leveling Screw (4).....
121146	22336	" " Slide with 26809,51916 and two 12152.....
26805	22336	Edge Guide Slide Cap (left).....
207F	22336	" " " " " Screw.....
2362	22336	" " " " " Steady Pin..
26806	22336	" " " " (right).....
207F	22336	" " " " " Screw (large)
233J	22336	" " " " " (small)
26807	22336	" " " Lever.....
94D	22336	" " " Hinge Screw.....
51916	22336	" " " Roller and Stud.....
26808	22336	" " " Spring.....
26809	22336	" " " Cover.....
12152	22336	" " " Rivet (2)
26810	22336	Edge Guide (roller) complete, Nos. 94D, 233J,26803,26805 to 26808,121146,two 207F and four 220J.....
190J	22336	Edge Guide Screw.....

FELLER (Foot)

No.	Plate	Name
26403	22336	Feller (foot).....

FINGER GUARDS

No.	Plate	Name
36818	22336	Finger Guard.....
36819	22336	" " Friction Washer.....
50316J	22336	" " Hinge Screw.....
36820	22336	" " Holder with 196J.....
196J	22336	" " Clamping Screw.....
36821	22336	Finger Guard (metal) complete, Nos.36818 to 36820 and 50316J.....
120496	22336	Finger Guard.....
120497	22336	" " Holder with 50302J.....
50302J	22336	" " Set Screw.....
236J	22336	" " Screw.....
120498	22336	Finger Guard (metal) complete, Nos.236J, 120496 and 120497.....

FINGER GUARDS

No.	Plate	Name
120857	22336	Finger Guard.....
120858	22336	" " Holder with 50302J.....
50302J	22336	" " Set Screw.....
236J	22336	" " Screw (2).....
120860	22336	Finger Guard (wire) complete, Nos. 120857, 120858 and two 236J.....

FOOT LIFTER PARTS

No.	Plate	Name
6439	24054	Chain, 36 to 45 inches, with 56864 and 56865.....
Note: When ordering No. 6439, give length required		
4879	24054	Chain Connecting Link.....
14229	24054	" Guide Bracket with 448AL (2)....
14230	24054	" Pulley (2).....
126928	-----	" " Shaft (2).....
14231	24054	" " " 126928 with 858AL (2).....
858AL	24054	Chain Guide Pulley Shaft Plug Screw (2)
448AL	24054	" " " Set Screw (2)
14232	24054	Chain Guide complete, Nos.14229 to 14231 and four wood screws 1 1/4 in. No.10 R.H.B. (2).....
56864	24054	Chain Hook (large).....
56865	24054	" " (small).....
44090	22347	Lifting Lever with 448AL.....
44091	22347	" " Connecting Rod.....
44092	22347	" " " Joint.....
802D	22347	" " Hinge Screw.....
12241	22350	" " Link.....
766D	22350	" " Hinge Screw.....
12240	22347	" " Pin.....
448AL	22347	" " Set Screw.....
4881	24054	Treadle.....
4882	24054	" Shaft.....
4883	24054	" Spring.....
4884	24054	" Stand.....
4885	24054	Treadle complete, Nos. 4879,4881 to 4884 and two wood screws 1 in. No. 16....
44093	-----	Foot Lifter complete, Nos. 766D, 802D, 4885,6439,12240,12241,44090 to 44092 and two 14232.....

GUIDES

No.	Plate	Name
25866	22337	Guide for flush throat plate.....
25874	22337	" " raised throat plate.....
25873	22337	" (combination).....
28658	22337	" (roller) with 1852.....
1852	22337	" Roller for 28658.....
284D	22337	" Thumb Screw (long).....
732D	22337	" " " (short).....
3146	22337	" " " Washer for 25873.....

GUIDE (Adjustable) HINGED

No.	Plate	Name
28971	22337	Guide.....
28972	22337	" Holder.....
35610	22337	" " Friction Washer.....
940W	22337	" " Hinge Screw.....
120427	22337	" " Shank.....
51224W	22337	" Thumb Screw.....
7071	22337	" " Washer.....
120428	22337	Guide (adjustable, hinged) complete, Nos. 940W, 7071, 28971, 28972, 35610, 51224W and 120427.....

KNEE LIFTER PARTS

No.	Plate	Name
43140	24054	Chain, length 6 1/2 in., with two 56865..
56865	24054	" Hook (2).....
44090	22347	Lifting Lever with 448AL.....
44091	22347	" " Connecting Rod.....
44092	22347	" " " Joint.....
802D	22347	" " Hinge Screw.....
12241	22350	" " Link.....
766D	22350	" " Hinge Screw.....
12240	22347	" " Pin.....
448AL	22347	" " Set Screw.....
2763	24054	Rock Shaft.....
12242	24054	" " Hanger with two wood screws 1 in. No. 10 F.H. (2).....
2765	24054	Rock Shaft Knee Arm.....
2766	24054	" " " " Hub with 356C.....
356C	24054	" " " " Set Screw.....

KNEE LIFTER PARTS

No.	Plate	Name
2768	-----	Rock Shaft Knee Arm complete, Nos. 2765 to 2767.....
2767	24054	Rock Shaft Knee Plate with 356C.....
356C	24054	" " " " Set Screw.....
6337	24054	" " Lifting Bracket with two 356C
6338	24054	" " " " Hook.....
356C	24054	" " " " " Set Screw
2770	24054	" " " " " Set Screw....
140219C	24054	" " Stop Dog with 140219C.....
15167	24054	" " " " Set Screw.....
44185	-----	Rock Shaft complete, Nos. 2763, 2768, 2770, 6337, 6338 and two 12242.....
		Knee Lifter complete (bench stand) Nos. 766D, 802D, 12240, 12241, 15167, 43140 and 44090 to 44092.....

MACHINE BASE

No.	Plate	Name
19219	22309	Bed Frame Cushion (leather) (4).....
158C	22309	" " " Screw (8).....
19220	22309	" " " Spring (4).....
19226	22309	" " Hinge Connection (2).....
19398	-----	" " " " 19226 with 211E and 19397 (2).....
19397	22309	Bed Frame Hinge Connection Cap (2).....
211E	22309	" " " " " Screw (2)
16555	22309	" " " Plate (2).....
14010	22309	" " " Rivet (6).....
20067	22309	Bed Frame with two each 16555, 19398, four each 19219, 19220, six each 14010, wood screws 1 1/4 in. No. 12 and eight 158C.....

From the library of: Diamond Needle Corp

PLAIN ROLLER PRESSERS

Diameter of Roller	9/16"		9/16"		7/8"		7/8"		1 1/4"		1 1/4"		1 1/4"	
	9/64" Coarse	3/16" Fine	9/64" Coarse	3/16" Fine	9/64" Coarse	3/16" Fine	9/64" Coarse	3/16" Fine	9/64" Coarse	3/16" Fine	9/64" Coarse	3/16" Fine	9/64" Coarse	3/16" Fine
Face of Roller	1897	1893	1894	1841	1895	1896	1896	1896	1897	1897	1897	1897	1897	1898
Knurl of Roller	12255	12255	12255	12256	12256	12256	12257	12257	12257	12257	12257	12257	12257	12257
Roller	440F	440F	440F	440F	440F	440F	440F	440F	440F	440F	440F	440F	440F	440F
Roller Arm	15446	15446	15446	15446	15446	15446	15446	15446	15446	15446	15446	15446	15446	15446
Roller Arm Adjusting Screw	1547J	1547J	1547J	1547J	1547J	1547J	1547J	1547J	1547J	1547J	1547J	1547J	1547J	1547J
Roller Arm Adjusting Screw Nut	2206	2206	2206	2206	2206	2206	2206	2206	2206	2206	2206	2206	2206	2206
Roller Arm Bracket	316F	316F	316F	316F	316F	316F	316F	316F	316F	316F	316F	316F	316F	316F
Roller Arm Bracket Screw Center	15444	15444	15444	15444	15444	15444	15444	15444	15444	15444	15444	15444	15444	15444
Roller Arm Bracket Screw Center 316F with 1547J	1547J	1547J	1547J	1547J	1547J	1547J	1547J	1547J	1547J	1547J	1547J	1547J	1547J	1547J
Roller Arm Bracket Screw Center Nut	2206	2206	2206	2206	2206	2206	2206	2206	2206	2206	2206	2206	2206	2206
Roller Arm Lock Spring	176J	176J	176J	176J	176J	176J	176J	176J	176J	176J	176J	176J	176J	176J
Roller Arm Lock Spring Screw	1549J	1549J	1549J	1549J	1549J	1549J	1549J	1549J	1549J	1549J	1549J	1549J	1549J	1549J
Roller Arm Lock Spring Screw Nut	386D	386D	386D	386D	386D	386D	386D	386D	386D	386D	386D	386D	386D	386D
Roller Screw	1550J	1550J	1550J	1528J	1528J	1528J	1528J	1528J	1528J	1528J	1528J	1528J	1528J	1528J
Roller Screw Nut	62744	12262	12263	44067	12264	12265	44155	62622	12266	62622	12266	12267	12268	12269
Roller Presser complete														

BALL BEARING ROLLER PRESSERS

Diameter of Roller	7/8"		7/8"		7/8"		7/8"		1 1/4"	
	1/8" Coarse	1/8" Fine	9/64" Coarse	3/16" Fine	9/64" Coarse	3/16" Fine	9/64" Coarse	3/16" Fine	9/64" Coarse	3/16" Fine
Face of Roller	51900	51901	51902	51903	51898	51899	51830	51830	51830	51830
Knurl of Roller	62856	62856	62897	62897	62856	62856	62709	62709	62709	62709
Roller complete	440F	440F	440F	440F	440F	440F	440F	440F	440F	440F
Roller Arm	15446	15446	15446	15446	15446	15446	15446	15446	15446	15446
Roller Arm Adjusting Screw	1547J	1547J	1547J	1547J	1547J	1547J	1547J	1547J	1547J	1547J
Roller Arm Adjusting Screw Nut	2206	2206	2206	2206	2206	2206	2206	2206	2206	2206
Roller Arm Bracket	316F	316F	316F	316F	316F	316F	316F	316F	316F	316F
Roller Arm Bracket Screw Center	15444	15444	15444	15444	15444	15444	15444	15444	15444	15444
Roller Arm Bracket Screw Center 316F with 1547J	1547J	1547J	1547J	1547J	1547J	1547J	1547J	1547J	1547J	1547J
Roller Arm Bracket Screw Center Nut	2206	2206	2206	2206	2206	2206	2206	2206	2206	2206
Roller Arm Lock Spring	176J	176J	176J	176J	176J	176J	176J	176J	176J	176J
Roller Arm Lock Spring Screw	1549J	1549J	1549J	1549J	1549J	1549J	1549J	1549J	1549J	1549J
Roller Arm Lock Spring Screw Nut	206417	206417	206417	206417	206417	206417	206417	206417	206417	206417
Roller Ball	201699C	201699C	201699C	201699C	201699C	201699C	201699C	201699C	201699C	201699C
Roller Ball Retaining Nut	350104C	350104C	350104C	350104C	350104C	350104C	350104C	350104C	350104C	350104C
Roller Screw	1528J	1528J	1528J	1528J	1528J	1528J	1528J	1528J	1528J	1528J
Roller Screw Nut	62864	62865	62866	62867	62868	62869	62870	62871	62872	62873
Roller Presser (ball bearing) complete										

STARTING TREADLE PARTS

No.	Plate	Name
13351	24054	Chain, 46 in. to 55 in. long, with 56864 and 56865.....
Note: When ordering No. 13351, give length required.		
4879	24054	Chain Connecting Link.....
14229	24054	" Guide Bracket with 448AL.....
14230	24054	" " Pulley.....
126928	-----	" " " Shaft.....
14231	24054	" " " 126928 with 858AL.....
858AL	24054	" " " Plug Screw.....
448AL	24054	" " " Set Screw.....
14232	24054	Chain Guide complete, Nos. 14229 to 14231 and four wood screws 1 1/4 in. No. 10 R.H.B.....
56864	24054	Chain Hook (large).....
56865	24054	" " (small).....
4881	24054	Treadle.....
4882	24054	" Shaft.....
4883	24054	" Spring.....
4884	24054	" Stand.....
4885	24054	Treadle complete, Nos. 4879, 4881 to 4884 and two wood screws 1 in. No. 16....

TABLE BELT GUIDE

No.	Plate	Name
14229	24054	Bracket with 448AL.....
14230	24054	Pulley.....
126928	-----	" Shaft.....
14231	24054	" " 126928 with 858AL.....
858AL	24054	" " Plug Screw.....
448AL	24054	" " Set Screw.....
14232	24054	Table Belt Guide complete, Nos. 14229 to 14231 and four wood screws 1 1/4 in. No. 10 R.H.B.....

THREAD UNWINDER

FOR TWO SPOOLS OR TWO LARGE CONES OF THREAD

No.	Plate	Name
225257	22248	Spool Rest with 201018C.....
150203	22248	" " Cushion (felt) (2).....
225388	22248	" " Rod.....
200383C	22248	" " Set Screw.....
201018C	22248	" " Set Screw.....
202490	22248	" Stand with 200383C.....
225391	22248	Thread Guide (2).....
201696J	22248	" " Lock Nut.....
225326	22248	" " Position Cup.....
225324	22248	" " Rod with 208E and 225322....
208E	22248	" " " Screw.....
225322	22248	" " " Washer.....
225258	22248	Thread Unwinder complete, Nos. 201696J, 202490, 225257, 225324, 225326, 225388, two each 150203, 225391 and three wood screws 7/8 in. No. 12 F.H.....
27739	22248	Thread Cone (wood) for large cones.....
225390	22248	" " Holder, for inverted cones..

Note: Nos. 27739 and 225390 are used with, but not included in 225258.

NUMERICAL LIST OF PARTS

No.	Plate	Name
35D	24053	Bobbin Winder Stop Latch Hinge Screw for 27647.....
90C	22348	Knife Bar Disengaging Lever Latch Hinge Screw.....
94D	22336	Edge Guide Slide Lever Hinge Screw for 26810.....
95C	22348	Tripping Stud Holder Screw (2).....
110D	22348	Knife Bar Disengaging Lever Latch Connecting Link Hinge Screw (latch end)
110D	22348	Knife Bar Disengaging Lever Latch Connecting Link Hinge Screw (starting lever extension end).....
129E	22349	Knife Cam Plate Screw (2).....
145D	22348	" " Lever Stop Screw.....
145D	24051	Shuttle Race Screw (2).....
157J	22347	Feed Lifting Rock Shaft Crank (front) Clamping Screw for 3166.....
157J	22347	Feed Rock Shaft Crank Clamping Screw for 29633.....
158C	22309	Bed Frame Cushion Screw for 20067 (8)...
158E	22348	Knife Bar Driving Lever Hinge Stud Bracket Screw (2).....
162D	22332	Belt Guard Extension Screw for 126365....
175J	24051	Arm Top Cover Screw (2).....
175D	22348	Knife Cam Lever Roller Arm Cap Screw for 44059 (2).....
176J	22350	Roller Arm Lock Spring Screw for 12262 to 12267, 44067, 44155, 62622, 62710, 62744, 62862 to 62867.....
190J	22336	Edge Guide Screw.....
190J	22348	Face Plate Screw.....
190D	22348	Knife Bar Driving Lever Lock Stud Spring Screw for 44041.....
190D	22348	Knife Bar Extension Screw (2).....
190K	22349	Knife Cam Tripping Point Screw for 44258 (4).....
190J	22350	Roller Presser Screw.....
193D	22348	Knife Bar Cap (back) Screw (2).....
193D	22348	" " " (front) Screw (2).....
193D	24052	Stop Cam Interlocking Rod Case Wearing Block Screw for 44242 (2).....
196J	22336	Finger Guard Holder Clamping Screw for 36820.....
196F	22350	Needle Clamp Screw for 2167.....
197D	22348	Knife Bar Disengaging Lever Tripping Point Screw for 44034 (2).....

From the library of: Dr. M. M. Neale, Co.

NUMERICAL LIST OF PARTS

No.	Plate	Name
207F	22336	Edge Guide Slide Cap (left) Screw for 26810.....
207F	22336	Edge Guide Slide Cap (right) Screw (large) for 26810.....
208AL	22346	Feed Dog Screw (2).....
208E	22248	Thread Unwinder Thread Guide Rod Screw for 225324.....
211E	22309	Bed Frame Hinge Connection Cap Screw for 19398 (2).....
217J	22345	Belt Cover Screw for 139612 (2).....
217K	22348	Knife Cam Lever Stop Screw Bracket Screw
219J	22347	Arm Side Cap Screw.....
219K	22349	Tripping Point Screw for 44258 (2).....
220J	22336	Edge Guide Leveling Screw for 26810 (4)
225F	22350	Slack Thread Regulator Adjusting Screw..
226J	22347	Oscillating Shaft Crank Slide Block Cap Screw for 19449.....
227D	22348	Tripping Stud Spring Screw.....
230D	22348	Knife Bar Disengaging Lever Extension Screw (2).....
230D	22348	Starting Lever Extension Screw.....
233J	22336	Edge Guide Slide Cap (right) Screw (small) for 26810.....
233D	22350	Needle Bar Thread Guard Screw.....
236J	22336	Finger Guard Screw for 120498 and 120860
284D	22337	Guide Thumb Screw (long).....
307C	22347	Feed Lifting Rock Shaft Screw Center for 56814 (2).....
307C	22347	Feed Rock Shaft Screw Center for 56814 (2).....
313C	22347	Feed Bar Screw Center for 56813 (2)....
316F	22350	Roller Arm Bracket Screw Center for 15444 (2).....
337J	22349	Knife Cam Gear Cover Screw for 44259 (6)
337D	22348	Tripping Stud Lifting Hook Screw for 44035.....
356C	24054	Rock Shaft Knee Arm Hub Set Screw for 2766.....
356C	24054	Rock Shaft Knee Plate Set Screw for 2767
356C	24054	" " Lifting Bracket Hook Set Screw for 6337.....
356C	24054	Rock Shaft Lifting Bracket Set Screw for 6337.....
375C	22344	Feed Connecting Link Hinge Screw (2)...
375C	22344	" Forked Connection Hinge Screw.....
375C	22344	" Lifting Rock Shaft Crank Connecting Rod Hinge Screw.....
386D	24055	Roller Screw for 1839,1897,1898 and 1911
388D	24055	" " 1867,1893 and 1894.....
391J	24051	Shuttle Bobbin Case Position Plate Screw for 44072 (2).....

NUMERICAL LIST OF PARTS

No.	Plate	Name
413C	22346	Tension Screw Stud for 33892.....
418E	24053	Bobbin Winder Tension Screw Stud for 27308.....
430C	22345	Belt Cover Bracket Stud Set Screw (arm end).....
435AL	22350	Thread Take-up Lever Link Hinge Pin Set Screw.....
440F	22350	Roller Arm Adjusting Screw for 15446....
446AL	22345	Belt Cover Bracket Stud Set Screw (bracket end) for 139610.....
446AL	22344	Feed and Feed Lifting Eccentric Set Screw for 20283.....
448AL	24054	Foot Lifter Chain Guide Pulley Shaft Set Screw for 14229 (2).....
448AL	22347	Lifting Lever Pin Set Screw for 44090...
448AL	22344	Oscillating Rock Shaft Hinge Pin Set Screw.....
448AL	24054	Starting Treadle Chain Guide Pulley Shaft Set Screw for 14229.....
448AL	24054	Table Belt Guide Pulley Shaft Set Screw for 14229.....
448AL	22346	Thread Take-up Spring Regulator Set Screw.....
453AL	22348	Knife Cam Lever Hinge Stud Set Screw (2)
453AL	22350	Needle Bar Connecting Stud Set Screw for 12384.....
453AL	22347	Oscillating Shaft Crank Set Screw for 44135 (2).....
453AL	22350	Presser Bar Guide Bracket Set Screw for 20059.....
454C	22344	Arm Shaft Bevel Gear Set Screw for 44019 (2).....
457AL	----	Oscillating Shaft Crank Set Screw for 19447.....
462AL	22347	Feed Lifting Rock Shaft Crank (back) Set Screw for 3043.....
591F	22350	Shuttle Tension Regulating Screw for 62740.....
592E	22350	Shuttle Bobbin Case Latch Stop Screw for 62740.....
624AL	22346	Thread Retainer Set Screw.....
652D	22350	Roller Screw for 1841, 1895 and 1896....
688J	22350	Pressure Regulating Thumb Screw.....
689C	22350	Presser Bar Lifter Screw.....
690E	22344	Thread Take-up Crank Wedge Screw.....
732D	22337	Guide Thumb Screw (short).....
748E	24051	Arm Screw (back) (2).....
766D	22350	Lifting Lever Link Hinge Screw for 44093 and 44185.....
775E	22350	Thread Take-up Lever Cap Screw for 43990

NUMERICAL LIST OF PARTS

No.	Plate	Name
794E	22350	Needle Bar Connecting Link Adjusting Screw for 43997.....
802D	22347	Lifting Lever Hinge Screw for 44093 and 44185.....
818D	22344	Feed Regulator Thumb Screw.....
854E	24051	Arm Screw (front) (2).....
858AL	24054	Foot Lifter Chain Guide Pulley Shaft Plug Screw for 14231 (2).....
858AL	22344	Needle Bar Crank Set Screw for 20188....
858AL	24054	Starting Treadle Chain Guide Pulley Shaft Plug Screw for 14231.....
858AL	24054	Table Belt Guide Pulley Shaft Plug Screw for 14231.....
896AL	22344	Crank Connecting Rod Cap Screw for 20197 (2).....
898D	24052	Stop Cam Interlocking Rod Case Socket Joint Cap Screw for 44078 (2).....
907D	24051	Shuttle Race Back Spring Screw for 44072
908C	22344	Crank Connecting Rod Hinge Screw for 139602.....
936E	22350	Needle Bar Screw Bushing (2).....
940W	22337	Guide Holder Hinge Screw for 120428.....
966E	22344	Feed Lifting Rock Shaft Crank Connecting Rod Cap Screw for 43976 (2).....
988C	22347	Oscillating Shaft Crank Slide Block Screw Stud for 19449.....
1053E	22349	Knife Cam Gear Cover Extension Screw for 44259 (2).....
1053E	24051	Shuttle Race Cap (back) Screw for 44072.
1053E	24051	" " " (front) Screw for 44072
1065C	22344	Needle Bar Crank Position Screw for 20188.....
1128E	22344	Feed Regulator Hinge Screw.....
1182E	24052	Trip Lever Spring Screw for 44078.....
1186D	24052	Stop Cam Interlocking Rod Case Spring Bracket Screw for 44233 (2).....
1196C	24052	Trip Lever Hinge Screw for 44078.....
1198C	22346	Knife Screw.....
1204E	24052	Stop Cam Interlocking Rod Case Hinge Screw for 44078.....
1206C	22344	Stop Cam Screw for 44066.....
1254C	24052	" " Interlocking Rod Case Stop Stud Screw Bushing for 44078.....
1255D	24052	Belt Shifter Clamp Screw for 44250 (2).
1262C	24052	Starting Lever Hinge Screw for 44078....
1266AL	22347	Shuttle Driver Set Screw for 12444 (2).
1297F	22348	Knife Bar Disengaging Lever Spring Screw for 44035.....
1302D	22346	Throat Plate Needle Hole Plate Screw for 44142.....

NUMERICAL LIST OF PARTS

No.	Plate	Name
1318D	24052	Stop Cam Interlocking Rod Stop Screw for 44145.....
1343E	24052	Stop Cam Interlocking Rod Case Bracket Screw.....
1420E	22348	Knife Bar Driving Lever Lock Stud Stop Screw for 44041.....
1472F	22346	Throat Plate Needle Hole Strip Screw for 44142 (2).....
1480D	22332	Belt Guard Retaining Screw for 126365...
1508E	24052	Stop Cam Interlocking Rod Case Stop Stud Screw Bushing Lock Nut for 44078....
1513J	22347	Feed Lifting Rock Shaft Screw Center Nut for 56814 (2).....
1513J	22347	Feed Rock Shaft Screw Center Nut for 56814 (2).....
1518J	22344	Feed Connecting Link Hinge Screw Nut (2)
1518J	22344	" Forked Connection Hinge Screw Nut.....
1518J	22344	" Lifting Rock Shaft Crank Connecting Rod Hinge Screw Nut.....
1518E	22347	Oscillating Shaft Crank Slide Block Screw Stud Nut for 19447 and 44135.....
1519J	22347	Feed Bar Screw Center Nut for 56813 (2)
1520E	22344	Arm Shaft Bushing (back) Adjusting Screw Nut.....
1520J	22350	Presser Bar Lifter Screw Nut.....
1520E	24052	Stop Cam Interlocking Rod Case Spring Adjusting Screw Nut for 39344.....
1528J	22350	Roller Screw Nut for 1839, 1841, 1895 to 1898, 1911, 51830, 51893 to 51903.
1547J	22350	Roller Arm adjusting Screw Nut for 15446
1547J	22350	" " Bracket Screw Center Nut for 15444 (2).....
1549J	22350	Roller Arm Lock Spring Screw Nut for 12262 to 12267, 44067, 44155, 62622, 62710, 62744, 62862 to 62867.....
1550J	24055	Roller Screw Nut for 1867, 1893 and 1894
1560C	22346	Tension Regulating Thumb Nut for 33892..
1562J	24053	Bobbin Winder Tension Regulating Thumb Nut for 27308.....
1619E	22344	Crank Connecting Rod Hinge Screw Nut....
1620J	24053	Bobbin Winder Frame Hinge Screw Nut for 27647.....
1650C	22349	Knife Cam Gear Screw Nut for 44259 (2)
1662C	24052	Starting Lever Hinge Screw Nut for 44078
1698H	22346	Knife Holder Pinion Stud Bracket Screw Nut.....
1718E	22348	Knife Cam Lever Stop Screw Lock Nut.....
1766C	24057	Roller Ball Retaining Nut for 51830.....
1813	22347	Feed Lifting Rock Shaft Crank (front) Roller and Stud for 3166.....

NUMERICAL LIST OF PARTS

No.	Plate	Name
1839	24055	Roller, 1 1/4 in. diam., 9/64 in. face, coarse, with 386D and 1528J, for 44155.....
1841	22350	Roller, 7/8 in. diam., 9/64 in. face, fine, with 652D and 1528J, for 44067.....
1852	22337	Guide Roller for 28658.....
1867	24055	Roller, 9/16 in. diam., 9/64 in. face, coarse, with 388D and 1550J, for 62744.....
1893	24055	Roller, 9/16 in. diam., 3/16 in. face, coarse, with 388D and 1550J, for 12262.....
1894	24055	Roller, 9/16 in. diam., 3/16 in. face, fine, with 388D and 1550J, for 12263.....
1895	24055	Roller, 7/8 in. diam., 3/16 in. face, coarse, with 652D and 1528J, for 12264.....
1896	24055	Roller, 7/8 in. diam., 3/16 in. face, fine, with 652D and 1528J, for 12265.....
1897	24056	Roller, 1 1/4 in. diam., 3/16 in. face, coarse, with 386D and 1528J, for 12266.....
1898	24056	Roller, 1 1/4 in. diam., 3/16 in. face, fine, with 386D and 1528J, for 12267.....
1904	22350	Needle Bar Connecting Stud Roller (roller only) for 12384.....
1911	24056	Roller, 1 1/4 in. diam., 9/64 in. face, coarse, with 386D and 1528J, for 62622.....
1954	22348	Knife Cam Lever Roller and Stud for 44059.....
2022	22344	Fulley (tight) Pin.....
2049	22349	Knife Cam Driving Shaft Bevel Gear Pin for 44259.....
2049	24052	Starting Lever Stop Pin for 44078.....
2102	23217	Bobbin Winder Tension Disc for 225462 (2).....
2102	22346	Tension Disc for 44148 (2).....
2106	24053	Bobbin Winder Tension Thread Guide for 27308.....
2167	22350	Needle Clamp with 196F.....
2205	22350	Roller Arm Lock Spring for 12262 to 12267, 44067, 44155, 62622, 62710, 62744, 62862 to 62867.....
2206	22350	Roller Arm Bracket for 12262 to 12265, 44067, 62744, 62862 to 62867.....
2289	22348	Starting Lever Spring Pin.....
2362	22336	Edge Guide Slide Cap (left) Steady Pin for 26803.....
2455	24053	Bobbin Winder Tension Disc for 27308 (2).....

NUMERICAL LIST OF PARTS

No.	Plate	Name
2523	22350	Shuttle Bobbin Case Position Finger Rivet for 62740.....
2531	24051	Shuttle Race Back for 44072.....
2532	24051	" " " Position Pin for 44072 (2).....
2533	24051	Shuttle Race Back Spring for 44072.....
2763	24054	Rock Shaft for 15167.....
2765	24054	" " " Knee Arm for 2768.....
2766	24054	" " " " Hub with 356C, for 2768.....
2767	24054	Rock Shaft Knee Plate with 356C, for 2768.....
2768	-----	Rock Shaft Knee Arm complete for 15167, Nos. 2765 to 2767.....
2770	24054	Rock Shaft Stop Dog with 140219C, for 15167.....
2973	22350	Shuttle Bobbin Case Latch Lever for 15141.....
2974	22350	Shuttle Bobbin Case Latch Lever Fulcrum Pin for 15141.....
2975	22350	Shuttle Bobbin Case Latch Spring for 62740.....
2996	22350	Shuttle Bobbin for 19292.....
3012	22344	Stop Cam Pin.....
3039	22344	Feed Regulator.....
3043	22347	" Lifting Rock Shaft Crank (back) with 462AL, for 44026.....
3094	22344	Thread Take-up Crank Wedge.....
3146	22337	Guide Thumb Screw Washer for 25873.....
3166	22347	Feed Lifting Rock Shaft Crank (front) with 157J and 1813, for 44026.....
4784	22344	Oscillating Rock Shaft Oil Pad for 24105.....
4822	22308	Wrench for 1528 and 1547 (Attachments and Accessories).....
4879	24054	Foot Lifter Chain Connecting Link for 4885.....
4879	24054	Starting Treadle Chain Connecting Link for 4885.....
4881	24054	Starting Treadle for 4885.....
4881	24054	Treadle for 4885.....
4882	24054	Starting Treadle Shaft for 4885.....
4882	24054	Treadle Shaft for 4885.....
4883	24054	Starting Treadle Spring for 4885.....
4883	24054	Treadle Spring for 4885.....
4884	24054	Starting Treadle Stand for 4885.....
4884	24054	Treadle Stand for 4885.....
4885	24054	Starting Treadle complete, Nos. 4879, 4881 to 4884 and two wood screws 1 in. No. 16.....
4885	24054	Treadle complete for 44093, Nos. 4879, 4881 to 4884 and two wood screws 1 in. No. 16.....

NUMERICAL LIST OF PARTS

No.	Plate	Name
6055	22308	Machine Hinge Bolt Nut Washer for 44180.
6337	24054	Rock Shaft Lifting Bracket with two 356C, for 15167.....
6338	24054	Rock Shaft Lifting Bracket Hook for 15167.....
6439	24054	Foot Lifter Chain, 36 to 45 inches, with 56864 and 56865, for 44093.....
Note: When ordering No. 6439, give length required.		
7071	22337	Guide Thumb Screw Washer for 120428.....
7071	22348	Knife Bar Extension Screw Washer (2)...
7298	22346	" Holder Pinion Dowel Pin for 44064 (2).....
7336	22346	Thread Take-up Spring Regulator for 44148.....
8418	22343	Belt Guard Button for 8420.....
8419	22343	" " Washer (leather) for 8420.....
8420	-----	Belt Guard Button 8418 with 8419 and wood screw 1 1/4 in. No. 9 R.H.B....
8511	22346	Thread Take-up Spring for 44148.....
8582	24051	Arm Dowel Pin.....
8589	22349	Knife Cam Plate Dowel Pin (2).....
8734	22348	" Bar Spring.....
8908	22308	Wrench for 1519 and 1520 (Attachments and Accessories).....
8909	22308	Wrench for 1513 and 1518 (Attachments and Accessories).....
9331	22332	Belt Guard Extension Screw Washer for 126365.....
10141	24053	Bobbin Winder Tension Spring for 27308..
11119	24051	Arm Oil Tube with 52045, for oiling 12408.....
11167	22350	Presser Bar Spring (light) .051 wire....
Note: No. 11167 is sent with this Machine unless another Spring is specified on order.		
11170	22350	Presser Bar Spring Washer.....
11204	22350	Thread Take-up Lever Link Hinge Pin for 43990.....
11241	24053	Bobbin Winder Spool Washer (cloth) for 27308.....
12139	-----	Presser Bar Spring (medium) .055 wire...
12150	22346	Face Plate Thread Guard (lower) with 12152, for 20058.....
12152	22336	Edge Guide Slide Spring Cover Rivet for 121146 (2).....
12152	22346	Face Plate Thread Guard (lower) Rivet for 12150.....
12166	22350	Thread Take-up Lever Hinge Pin for 12410
12240	22347	Lifting Lever Pin for 44093 and 44185...
12241	22350	" " Link for 44093 and 44185..

NUMERICAL LIST OF PARTS

No.	Plate	Name
12242	24054	Rock Shaft Hanger with two wood screws 1 in. No. 10 F.H., for 15167 (2)....
12255	24055	Roller Arm for 12262, 12263 and 62744...
12256	22350	" " for 12264, 12265 and 44067...
12257	24055	" " for 12266, 12267, 44155 and 62622.....
12262	24055	Roller Presser complete, 9/16 in. diam., 3/16 in. face, coarse roller, Nos. 176J, 1549J, 1893, 2205, 2206, 12255, 15446 and two 15444.....
12263	24055	Roller Presser complete, 9/16 in. diam., 3/16 in. face, fine roller, Nos. 176J, 1549J, 1894, 2205, 2206, 12255, 15446 and two 15444.....
12264	24055	Roller Presser complete, 7/8 in. diam., 3/16 in. face, coarse roller, Nos. 176J, 1549J, 1895, 2205, 2206, 12256, 15446 and two 15444.....
12265	24055	Roller Presser complete, 7/8 in. diam., 3/16 in. face, fine roller, Nos. 176J, 1549J, 1896, 2205, 2206, 12256, 15446 and two 15444.....
12266	24056	Roller Presser complete, 1 1/4 in. diam., 3/16 in. face, coarse roller, Nos. 176J, 1549J, 1897, 2205, 12257, 15446, 46037 and two 15444.....
12267	24056	Roller Presser complete, 1 1/4 in. diam., 3/16 in. face, fine roller, Nos. 176J, 1549J, 1898, 2205, 12257, 15446, 46037 and two 15444.....
12327	22350	Presser Bar Lifting and Releasing Lever Bracket.....
12361	22308	Machine Hinge Connection for 44140 and 44180.....
12379	22347	Feed Rock Shaft for 20333.....
12384	22350	Needle Bar Connecting Stud with 453AL and 1904, for 43997.....
12388	22344	Oscillating Rock Shaft Hinge Pin for 24105.....
12389	22347	Oscillating Shaft.....
12391	22350	Presser Bar (hollow).....
12393	22350	Shuttle Body for 19292.....
12404	22350	Thread Take-up Crank for 43990.....
12408	22350	" " Lever for 12410.....
12409	22350	" " " Link for 12410....
12410	-----	Thread Take-up Lever complete for 43990, Nos. 12166, 12408 and 12409.....
12424	22347	Oscillating Shaft Crank Slide Block Cap Screw Washer for 19449.....
12444	22347	Shuttle Driver with two 1266AL.....

From the Library of the Department of Mechanical Engineering, University of Toronto

NUMERICAL LIST OF PARTS

No.	Plate	Name
12448	22350	Needle Bar (hollow).....
12453	24051	Arm Oil Tube for intermediate bearing...
12454	24051	" " " with 132590, for oiling 12409.....
12480	22347	Arm Side Cap.....
13351	24054	Starting Treadle Chain, 46 in. to 55 in. long, with 56864 and 56865.....
Note: When ordering No. 13351, give length required.		
13710	23217	Bobbin Winder Tension Spring for 225462.
14010	22309	Bed Frame Hinge Plate Rivet for 20067 (6).....
14024	22348	Knife Cam Lever Stop Screw Bracket Dowel Pin.....
14229	24054	Foot Lifter Chain Guide Bracket with 448AL, for 14232 (2).....
14229	24054	Starting Treadle Chain Guide Bracket with 448AL, for 14232.....
14229	24054	Table Belt Guide Bracket with 448AL, for 14232.....
14230	24054	Foot Lifter Chain Guide Pulley for 14232 (2).....
14230	24054	Starting Treadle Chain Guide Pulley for 14232.....
14230	24054	Table Belt Guide Pulley for 14232.....
14231	24054	Foot Lifter Chain Guide Pulley Shaft 126928 with 858AL, for 14232 (2)...
14231	24054	Starting Treadle Chain Guide Pulley Shaft 126928 with 858AL, for 14232..
14231	24054	Table Belt Guide Pulley Shaft 126928 with 858AL, for 14232.....
14232	24054	Foot Lifter Chain Guide complete for 44093, Nos. 14229 to 14231 and four wood screws 1 1/4 in. No. 10 R.H.B..
14232	24054	Starting Treadle Chain Guide complete, Nos. 14229 to 14231 and four wood screws 1 1/4 in. No. 10 R.H.B.....
14232	24054	Table Belt Guide complete, Nos. 14229 to 14231 and four wood screws 1 1/4 in. No. 10 R.H.B.....
15072	24053	Bobbin Winder Bobbin Position Pin for 27538.....
15140	22350	Shuttle Bobbin Case Latch for 15141.....
15141	-----	" " " Hinge for 62740, Nos. 2973, 2974 and 15140.....
15167	24054	Rock Shaft complete for 44185, Nos. 2763, 2768, 2770, 6337, 6338 and two 12242
15278	22350	Shuttle Tension Spring for 62740.....
*15404	-----	Trade Mark for 139606.....
15405	-----	" " Rivet for 139606 (2).....
15444	-----	Roller Arm Bracket Screw Center 316F with 1547J, for 12262 to 12267, 44067, 44155, 62622, 62710, 62744, 62862 to 62867 (2).....

NUMERICAL LIST OF PARTS

No.	Plate	Name
15446	-----	Roller Arm Adjusting Screw 440F with 1547J, for 12262 to 12267, 44067, 44155, 62622, 62710, 62744, 62862 to 62867.....
15514	22348	Knife Bar Disengaging Lever Spring.....
16232	24057	Roller Ball for 51830 (24).....
16532	24052	Stop Cam Interlocking Rod Case Bracket Dowel Pin.....
16555	22309	Bed Frame Hinge Plate for 20067 (2)....
17719	22348	Starting Lever Spring.....
17748	24051	Thread Eyelet (top of arm).....
17814	22348	Knife Bar Connection Rivet for 44030....
17814	22348	" " Slide Block Plate Rivet.....
17822	22348	" " Rack Rivet for 44045 (2).....
17827	22346	" Holder Pinion Stud for 44065.....
17855	24052	Stop Cam Interlocking Rod for 44145....
17861	24052	" " " Case Stop Stud for 44078.....
17862	24052	Stop Cam Interlocking Rod Case Stop Stud Spring for 44078.....
17863	24052	Stop Cam Interlocking Rod Spring for 44145.....
17864	24052	Stop Cam Interlocking Rod Stop for 44145
17873	24052	Trip Lever Spring for 44078.....
17915	22348	Knife Bar Slide Block for 44047.....
17919	22348	" " Driving Lever Lock Stud Spring for 44041.....
18498	22345	Belt Cover for 139612.....
19219	22309	Bed Frame Cushion (leather) for 20067 (4).....
19220	22309	Bed Frame Cushion Spring for 20067 (4)...
19221	22308	Wrench for 936 and 1619 (Attachments and Accessories).....
19226	22309	Bed Frame Hinge Connection for 19393 (2)
19292	22350	Shuttle, 1 11/16 in. diam., Nos. 2996, 12393 and 62740.....
19397	22309	Bed Frame Hinge Connection Cap for 19393 (2).....
19398	-----	Bed Frame Hinge Connection 19226 with 211E and 19397, for 20067 (2).....
19447	-----	Oscillating Shaft Crank complete, Nos. 457AL, 1518E, 19449 and 19496.....
19448	-----	Oscillating Shaft Crank Slide Block for 19449.....
19449	22347	Oscillating Shaft Crank Slide Block com- plete for 19447 and 44135, Nos. 226J, 968C, 12424 and 19448.....
19496	-----	Oscillating Shaft Crank for 19447.....
20022	22308	Machine Rest (felt) Attachments and Ac- cessories.....

From the Library of the Board of Directors and Members

NUMERICAL LIST OF PARTS

No.	Plate	Name
20023	-----	Presser Bar Spring (heavy) .063 wire....
20057	22346	Face Plate for 20058.....
20058	22346	Face Plate complete, Nos.12150,20057 and 139615.....
20059	22350	Presser Bar Guide Bracket with 453AL....
20060	22350	Slack Thread Regulator.....
20067	22309	Bed Frame with two each 16555,19398, four each 19219,19220, six each 14010, wood screws 1 1/4 in. No. 12 and eight 158C.....
20188	22344	Needle Bar Crank with 858AL and 1065C...
20197	22344	Crank Connecting Rod with two 896AL....
20283	22344	Feed and Feed Lifting Eccentric with 446AL.....
20284	22344	Feed Forked Connection.....
20333	-----	Feed Rock Shaft complete, Nos. 12379 and 29633.....
20461	22308	Wrench for 1620 (Attachments and Accessories).....
22003	-----	Wrench for 1550 (Attachments and Accessories).....
24105	22344	Oscillating Rock Shaft complete for 139602, Nos. 4784 and 12388.....
24131	24051	Arm Oil Tube with 52045, for oiling 20283.....
24131	24051	Arm Top Cover Oil Tube with 52045, for oiling 20197, for 139608.....
24412	24051	Shuttle Bobbin Case Position Plate for 44072.....
25866	22337	Guide for flush throat plate.....
25873	22337	Guide (combination).....
25874	22337	Guide, for raised throat plate.....
26026	22308	Screw Driver (machine) Attachments and Accessories.....
26403	22336	Feller (foot).....
26485	22308	Screw Driver (shuttle tension) Attachments and Accessories.....
26803	22336	Edge Guide Bed with 2362, for 26810.....
26805	22336	" " Slide Cap (left) for 26810...
26806	22336	" " " " (right) for 26810..
26807	22336	" " " Lever for 26810.....
26808	22336	" " " Spring for 26810.....
26809	22336	" " " Cover for 121146
26810	22336	Edge Guide (roller) complete, Nos. 94D, 233J, 26803, 26805 to 26808, 121146, two 207F and four 220J.....
27302	24053	Bobbin Winder Frame for 27647.....
27303	-----	" " " Spring for 27647....
27306	24053	" " Spool Pin for 27308.....
27307	24053	" " " Stand for 27308.....

NUMERICAL LIST OF PARTS

No.	Plate	Name
27308	24053	Bobbin Winder Spool Stand complete for 27544, Nos. 418E, 1562J, 2106, 10141, 11241, 27306, 27307 and two each 2455 and wood screws 1 in. No. 10.....
27312	24053	Bobbin Winder Stop Latch for 27647.....
27538	24053	" " Spindle with 15072 and 41828, for 27647.....
27540	24053	Bobbin Winder Base for 27647.....
27541	24053	" " Pulley for 27647.....
27544	24053	Bobbin Winder (swinging automatic, right hand) complete for 2996, for stand, Nos. 27308 and 27647.....
27647	24053	Bobbin Winder for 27544, Nos. 35D, 1620J, 27302, 27303, 27312, 27538, 27540, 27541, 50356D and two wood screws 1 in. No. 7.....
27662	-----	Wrench for 1508 (Attachments and Accessories).....
27739	22248	Thread Unwinder Thread Cone (wood) for large cones for use with 225258...
28084	22308	Machine Rest Pin (Attachments and Accessories).....
28658	22337	Guide (roller) with 1852.....
28971	22337	Guide for 120428.....
28972	22337	" Holder for 120428.....
29633	22347	Feed Rock Shaft Crank with 157J, for 20333.....
33892	-----	Tension Screw Stud 413C with 1560C, for 44148.....
35610	22337	Guide Holder Friction Washer for 120428.
36818	22336	Finger Guard for 36821.....
36819	22336	" " Friction Washer for 36821..
36820	22336	" " Holder with 196J, for 36821
36821	22336	Finger Guard complete, Nos. 36818 to 36820 and 50316J.....
39222	24052	Belt Shifter for 44145.....
39298	22348	Knife Bar Driving Lever Lock Stud for 44041.....
39343	24052	Stop Cam Interlocking Rod Case Spring (flat) for 44233.....
39344	24052	Stop Cam Interlocking Rod Case Spring Bracket with 1520E and 50682C, for 44233.....
41400	22308	Machine Rest Pin (wood) 3 1/8 in. long (Attachments and Accessories).....
41828	24053	Bobbin Winder Spindle Collar Pin for 27538.....
41929	22343	Belt Guard for 41931.....
41930	22343	" " Hinge for 41931 (2).....
41931	22343	Belt Guard complete, Nos. 8420, 41929, two 41930 and four wood screws 3/4 in. No. 9.....

NUMERICAL LIST OF PARTS

No.	Plate	Name
43140	24054	Knee Lifter Chain, length 6 1/2 in., with two 5686S, for 44185.....
43945	22346	Tension Spring for 44148.....
43976	22344	Feed Lifting Rock Shaft Crank Connecting Rod with two 966E.....
43990	-----	Thread Take-up complete, Nos. 775E, 11204, 12404, 12410 and 43997.....
43997	22350	Needle Bar Connecting Link with 794E and 12384.....
44018	22344	Arm Shaft.....
44019	22344	" " Bevel Gear with two 454C.....
44020	22344	" " Bushing (back).....
*44021	-----	Bed.....
44022	22345	Cloth Plate.....
44023	22347	Feed Bar.....
44024	22346	Feed Dog, 11 teeth (16 teeth to the inch) for 44142.....
44025	22347	Feed Lifting Rock Shaft for 44026.....
44026	22347	Feed Lifting Rock Shaft complete, Nos. 3043, 3166 and 44025.....
44027	22346	Knife (needle thread).....
44028	22346	" (shuttle thread).....
44029	22348	" Bar for 44030.....
44030	-----	Knife Bar complete, Nos. 17814, 44029, 44033, 44047, 44048, 44050 and two 50253D.....
44031	22348	Knife Bar Cap (back) with 44050.....
44032	22348	" " " (front).....
44033	22348	" " Connection for 44030.....
44034	22348	" " Disengaging Lever with 44040 and two 197D, for 44058.....
44035	22348	Knife Bar Disengaging Lever Extension with 337D, 1297F and 44087.....
44036	22348	Knife Bar Disengaging Lever Hinge Pin for 44068.....
44037	22348	Knife Bar Disengaging Lever Latch with 44039.....
44038	22348	Knife Bar Disengaging Lever Latch Connecting Link.....
44039	22348	Knife Bar Disengaging Lever Spring Hook for 44037.....
44040	22348	Knife Bar Disengaging Lever Tripping Point for 44034.....
44041	22348	Knife Bar Driving Lever with 190D, 1420E, 17919 and 39298.....
44042	22348	Knife Bar Driving Lever Hinge Stud for 44043.....
44043	22348	Knife Bar Driving Lever Hinge Stud Bracket with 44042.....
44044	22348	Knife Bar Extension for 44045.....

NUMERICAL LIST OF PARTS

No.	Plate	Name
44045	22348	Knife Bar Extension 44044 with 44046 and two 17822.....
44046	22348	Knife Bar Rack for 44045.....
44047	-----	" " Slide Block 17915 with 44049, for 44030.....
44048	22348	Knife Bar Slide Block Plate for 44030...
44049	22348	" " " " Stud for 44047....
44050	22348	" " Spring Hook for 44030 and 44031 (2).....
44052	22349	Knife Cam Driving Shaft and Gear for 44259.....
44053	22349	Knife Cam Driving Shaft Bevel Gear for 44259.....
44055	22349	Knife Cam Gear Cover for 44259.....
44056	22349	" " " " Extension for 44259.....
44057	22348	" " Lever for 44058.....
44058	22348	Knife Cam Lever complete, Nos. 44034, 44036, 44057 and 44059.....
44059	22348	Knife Cam Lever Roller Arm with 1954 and two 175D, for 44058.....
44061	22348	Knife Cam Lever Stop Screw Bracket....
44062	22349	" " Plate for 44259.....
44063	22349	" " Tripping Point (2).....
44064	22346	" Holder with two 7298.....
44065	22346	" " Pinion Stud Bracket with 17827.....
44066	-----	Pulleys complete, Nos. 1206C, 44075, 51387R, 68713, 68715 and 68716....
44067	22350	Roller Presser complete, 7/8 in. diam 9/64 in. face, fine roller, Nos. 176J, 1549J, 1841, 2205, 2206, 12256, 15446 and two 15444.....
44068	24051	Shuttle Race Body for 44072.....
44069	24051	" " Cap (back) for 44072.....
44070	24051	" " " (front) for 44072.....
44071	24051	" " " Steady Pin for 44072 (2).....
44072	24051	Shuttle Race complete, Nos. 907D, 2531, 2533, 24412, 44068 to 44070 and two each 391J, 1053E, 2532 and 44071....
44073	24052	Starting Lever for 44078.....
44074	22348	" " Extension.....
44075	22344	Stop Cam for 44066.....
44077	24052	" " Interlocking Rod Case Bracket for 44078.....
44078	-----	Stop Cam Interlocking Rod Case Bracket complete for 44233, Nos. 1182E, 1196C, 1204E, 1254C, 1262C, 1508E, 1662C, 2049, 17861, 17862, 17873, 44073, 44077, 44079, 44083, 44145 and two 898D.....

No.	Plate	Name
44079	24052	Stop Cam Interlocking Rod Case Socket Joint for 44078.....
44080	24052	Stop Cam Interlocking Rod Case Wearing Block for 44242.....
44082	22346	Throat Plate Needle Hole Strip for 44142
44083	24052	Trip Lever for 44078.....
44084	22349	Tripping Point for 44258 (2).....
44085	22348	" Stud.....
44086	22348	" " Holder.....
44087	22348	" " Lifting Hook for 44035....
44088	22348	" " Spring.....
44089	22348	" " Stop Pin.....
44090	22347	Lifting Lever with 448AL, for 44093 and 44185.....
44091	22347	Lifting Lever Connecting Rod for 44093 and 44185.....
44092	22347	Lifting Lever Connecting Rod Joint for 44093 and 44185.....
44093	-----	Foot Lifter complete, Nos. 766D, 802D, 4885, 6439, 12240, 12241, 44090 to 44092 and two 14232.....
44094	24058	Drip Pan with four 1 in. wire nails....
44134	-----	Oscillating Shaft Crank for 44135.....
44135	22347	Oscillating Shaft Crank complete, Nos. 1518E, 19449, 44134 and two 453AL...
44139	22308	Machine Hinge Plate for 44140 and 44180.
44140	22308	Machine Hinge complete, Nos. 12361, 44139 and merlized wood screw 1 1/4 in. No. 14 (Attachments and Accessories).....
44142	22346	Throat Plate with 1302D, 44082, 44143 and two 1472F, for 44024 and 44153.....
44143	22346	Throat Plate Needle Hole Plate for 44142
44145	-----	Stop Cam Interlocking Rod Case 44250 with 1318D, 17855, 17863, 17864 and 39222, for 44078.....
44148	22346	Tension complete, Nos. 7336, 8511, 33892, 43945 and two 2102.....
44153	22346	Feed Dog, 8 teeth (12 teeth to the inch) for 44142.....
44155	24055	Roller Presser complete, 1 1/4 in. diam., 9/64 in. face, coarse roller, Nos. 176J, 1549J, 1839, 2205, 12257, 15446, 46037 and two 15444.....
44180	-----	Machine Hinge complete, Nos. 6055, 12361, 44139 and 51075E (Attachments and Accessories).....
44185	-----	Knee Lifter complete (bench stand) Nos. 766D, 802D, 12240, 12241, 15167, 43140 and 44090 to 44092.....

No.	Plate	Name
44232	22348	Knife Cam Lever Hinge Stud.....
44233	24052	Stop Cam Interlocking Rod Case Bracket 44078 with 39343, 39344 and two 1186D
44241	24052	Stop Cam Interlocking Rod Case for 44242
44242	-----	" " " " 44241 with 44080 and two 193D, for 44250.....
44245	22350	Needle Bar Thread Guard.....
44250	-----	Stop Cam Interlocking Rod Case 44242 with 63976 and two 1255D, for 44145.
44258	22349	Knife Cam with two each 219K, 44063, 44084 and four 190K, for 44259.....
44259	-----	Knife Cam 44258 with 2049, 44052, 44053, 44055, 44056, 44062, 44260, 46224, 50254F, two each 1053E, 1650C, 49109, 51192E, 59455 and six 337J.....
44260	22349	Knife Cam Gear for 44259.....
46037	24055	Roller Arm Bracket for 12266, 12267, 44155, 62622 and 62710.....
46224	22349	Knife Cam Hinge Screw C11 Cup for 50254F
49109	22349	" " Gear Cover Spacing Washer for 44259 (2).....
50018F	22345	Cloth Plate Screw (2).....
50018F	22346	Knife Holder Pinion Stud Bracket Screw..
50018F	22346	Throat Plate Screw (2).....
50253D	22348	Knife Bar Connection Screw for 44030 (2)
50254F	22349	" Cam Hinge Screw with 46224, for 44259.....
50256E	22348	Starting Lever Extension Screw Stud....
50302J	22336	Finger Guard Holder Set Screw for 120497 and 120858.....
50316J	22336	Finger Guard Hinge Screw for 36821.....
50333C	22344	Arm Shaft Bushing (back) adjusting Screw
50356D	24053	Bobbin Winder Frame Hinge Screw for 27647.....
50551J	22332	Belt Guard Set Screw for 126365.....
50553C	24057	Roller Screw for 51830.....
50682C	24052	Stop Cam Interlocking Rod Case Spring Adjusting Screw for 39344.....
51075E	22308	Machine Hinge Bolt with 51581E, for 44180.....
51192E	22349	Knife Cam Gear Screw for 44259 (2)....
51224J	22346	Face Plate Thumb Screw.....
51224W	22337	Guide Thumb Screw for 120428.....
51367R	22344	Pulley (loose) Cap Screw for 44066.....
51581E	22308	Machine Hinge Bolt Nut for 51075E.....
51830	24057	Roller, 1 1/4 in. diam., 1/8 in. face, coarse (ball bearing) complete for 62710, Nos. 1528J, 1766C, 50553C and twenty-four 16232.....
51898	24057	Roller, 7/8 in. diam., 3/16 in. face, coarse (ball bearing) complete for 62862, Nos. 1528J, 201699C, 350104C and twenty-eight 206417.....

NUMERICAL LIST OF PARTS

No.	Plate	Name
51899	24057	Roller, 7/8 in. diam., 3/16 in. face, fine (ball bearing) complete for 62863, Nos. 1528J, 201699C, 350104C and twenty-eight 206417.....
51900	24056	Roller, 7/8 in. diam., 1/8 in. face, coarse (ball bearing) complete for 62864, Nos. 1528J, 201699C, 350104C and twenty-eight 206417.....
51901	24056	Roller, 7/8 in. diam., 1/8 in. face, fine (ball bearing) complete for 62865, Nos. 1528J, 201699C, 350104C and twenty-eight 206417.....
51902	24056	Roller, 7/8 in. diam., 9/64 in. face, coarse (ball bearing) complete for 62866, Nos. 1528J, 201699C, 350104 and twenty-eight 206417.....
51903	24057	Roller, 7/8 in. diam., 9/64 in. face, fine (ball bearing) complete for 62867, Nos. 1528J, 201699C, 350104C and twenty-eight 206417.....
51916	22336	Edge Guide Slide Roller and Stud for 121146.....
52016	22350	Presser Bar Lifter.....
52045	24051	Arm Oil Tube Packing (felt) for 11119 and 24131.....
52045	24051	Arm Top Cover Oil Tube Packing for 24131 and 139609.....
52165	22344	Feed Connecting Link.....
52454	22346	Thread Retainer.....
56813	-----	Feed Bar Screw Center 313C with 1519J (2).....
56814	-----	Feed Lifting Rock Shaft Screw Center 307C with 1513J (2).....
56814	-----	Feed Rock Shaft Screw Center 307C with 1513J (2).....
56864	24054	Foot Lifter Chain Hook (large) for 6439.
56864	24054	Starting Treadle Chain Hook (large) for 13351.....
56865	24054	Foot Lifter Chain Hook (small) for 6439.
56865	24054	Knee Lifter Chain Hook for 43140 (2)...
56865	24054	Starting Treadle Chain Hook (small) for 13351.....
59455	22349	Knife Cam Gear Screw Washer for 44259 (2).....
62622	24056	Roller Presser complete, 1 1/4 in. diam., 9/64 in. face, coarse roller, Nos. 176J, 1549J, 1911, 2205, 12257, 15446, 46037 and two 15444.....
62709	24057	Roller Arm for 62710.....
62710	24057	Roller Presser (ball bearing) complete, 1 1/4 in. diam., 1/8 in. face, coarse roller, Nos. 176J, 1549J, 2205, 15446, 46037, 51830, 62709 and two 15444...

NUMERICAL LIST OF PARTS

No.	Plate	Name
62740	22350	Shuttle Bobbin Case complete for 19292, Nos. 591F, 592E, 2523, 2975, 15141 and 15278.....
62744	24055	Roller Presser complete, 9/16 in. diam., 9/64 in. face, coarse roller, Nos. 176J, 1549J, 1867, 2205, 2206, 12255, 15446 and two 15444.....
62856	24056	Roller Arm for 62862 to 62865.....
62862	24057	Roller Presser (ball bearing) complete, 7/8 in. diam., 3/16 in. face, coarse roller, Nos. 176J, 1549J, 2205, 2206, 15446, 51898, 62856 and two 15444.....
62863	24057	Roller Presser (ball bearing) complete, 7/8 in. diam., 3/16 in. face, fine roller, Nos. 176J, 1549J, 2205, 2206, 15446, 51899, 62856 and two 15444.....
62864	24056	Roller Presser (ball bearing) complete, 7/8 in. diam., 1/8 in. face, coarse roller, Nos. 176J, 1549J, 2205, 2206, 15446, 51900, 62856 and two 15444.....
62865	24056	Roller Presser (ball bearing) complete, 7/8 in. diam., 1/8 in. face, fine roller, Nos. 176J, 1549J, 2205, 2206, 15446, 51901, 62856 and two 15444.....
62866	24056	Roller Presser (ball bearing) complete, 7/8 in. diam., 9/64 in. face, coarse roller, Nos. 176J, 1549J, 2205, 2206, 15446, 51902, 62897 and two 15444.....
62867	24057	Roller Presser (ball bearing) complete, 7/8 in. diam., 9/64 in. face, fine roller, Nos. 176J, 1549J, 2205, 2206, 15446, 51903, 62897 and two 15444.....
62897	24056	Roller Arm for 62866 and 62867.....
63976	24052	Belt Shifter Clamp for 44250.....
68712	22344	Pulley (loose) 2 3/4 in. diam., with 200594D, for 68713.....
68713	-----	Pulley (loose) 68712 with 68714, for 44066.....
68714	22344	Pulley (loose) Ball Bearing for 68713.....
68715	22344	" " Bushing for 44066.....
68716	22344	" (tight) 2 7/8 in. diam., for 44066
120342	22308	Oiler (upper plated) with 120343 (Attachments and Accessories).....
120343	22308	Oiler Spout, 3 1/2 in. long, for 120342.
120427	22337	Guide Holder Shank for 120428.....
120428	22337	Guide (adjustable, hinged) complete, Nos. 940W, 7071, 28971, 28972, 35610, 51224W and 120427.....
120496	22336	Finger Guard for 120498.....
120497	22336	" " Holder with 50302J, for 120498.....

NUMERICAL LIST OF PARTS

No.	Plate	Name
120498	22336	Finger Guard (metal) complete, Nos.236J, 120496 and 120497.....
120857	22336	Finger Guard for 120860.....
120858	22336	" " Holder with 50302J, for 20860.....
120860	22336	Finger Guard (wire) complete, Nos. 120857, 120858 and two 236J.....
121146	22336	Edge Guide Slide with 26809, 51916 and two 12152, for 26810.....
125424	22346	Face Plate Thread Guard (upper) Rivet for 139615.....
126356	22332	Belt Guard for 126365.....
126363	22332	" " Bracket for 126365.....
126364	22332	" " Extension for 126365.....
126365	22332	Belt Guard (adjustable) complete, Nos. 162D, 1490D, 9331, 50551J, 126356, 126363, 126364 and two wood screws 1 in. No. 10.....
126928	-----	Foot Lifter Chain Guide Pulley Shaft for 14231 (2).....
126928	-----	Starting Treadle Chain Guide Pulley Shaft for 14231.....
126928	-----	Table Belt Guide Pulley Shaft for 14231.....
127152	22344	Feed and Feed Lifting Eccentric Sleeve..
132590	24051	Arm Oil Tube Packing (felt) for 12454...
139602	-----	Oscillating Rock Shaft 24105 with 908C..
*139606	-----	Arm with 15404 and two 15405.....
139607	24051	" Top Cover for 139608.....
139608	24051	" " " 139607 with 24131 and two 139609.....
139609	24051	Arm Top Cover Oil Tube with 52045, for cilling 20284 and 43976, for 139608 (2).....
139610	22345	Belt Cover Bracket with 446AL, for 139612.....
139611	22345	Belt Cover Bracket Stud for 139612.....
139612	22345	Belt Cover complete, Nos. 18498, 139610, 139611 and two 217J.....
139615	22346	Face Plate Thread Guard (upper) with 125424, for 20058.....
140219C	24054	Rock Shaft Stop Dog Set Screw for 2770..
150203	22248	Thread Unwinder Spool Rest Cushion (felt) for 225258 (2).....
200056E	23217	Bobbin Winder Stop Latch Screw for 259431.....
200082D	23217	Bobbin Winder Tension Bracket Screw for 259431.....
200113F	23217	Bobbin Winder Brake Clamp Screw for 259431.....
200299H	23217	Bobbin Winder Stop Latch Trip Lever Hinge Screw for 259431.....

NUMERICAL LIST OF PARTS

No.	Plate	Name
200380C	23217	Bobbin Winder Pulley Set Screw for 225368.....
200383C	22248	Thread Unwinder Spool Rest Rod Set Screw for 202490.....
200584D	22344	Pulley (loose) Oil Hole Plug Screw for 68712.....
201018C	22248	Thread Unwinder Spool Rest Set Screw for 225257.....
201499B	23217	Bobbin Winder Tension Stud for 225461...
201572B	23217	Bobbin Winder Tension Stud Thumb Nut for 225462.....
201696J	22248	Thread Unwinder Thread Guide Lock Nut for 225258.....
201699C	24056	Roller Ball Retaining Nut for 51898 to 51903.....
202277	23217	Bobbin Winder Frame Oil Packing (wick) for 225453.....
202478	23217	Bobbin Winder Stop Latch Trip Lever for 259431.....
202490	22248	Thread Unwinder Spool Stand with 200383C, for 225258.....
206417	24056	Roller Ball for 51898 to 51903 (28)..
225257	22248	Thread Unwinder Spool Rest with 201018C, for 225258.....
225258	22248	Thread Unwinder complete, for two spools or two large cones of thread, Nos. 201696J, 202490, 225257, 225324, 225326, 225388, two each 150203, 225391 and three wood screws 7/8 in. No. 12 F.H.....
225322	22248	Thread Unwinder Thread Guide Rod Washer for 225324.....
225324	22248	Thread Unwinder Thread Guide Rod with 208E and 225322, for 225258.....
225326	22248	Thread Unwinder Thread Guide Position Cup for 225258.....
225368	23217	Bobbin Winder Pulley with 200380C, for 259431.....
225381	23217	Bobbin Winder Spindle for 259431.....
225388	22248	Thread Unwinder Spool Rest Rod for 225258.....
225390	22248	Thread Unwinder Thread Cone Holder, for inverted cones, for use with 225258.
225391	22248	Thread Unwinder Thread Guide for 225258 (2).....
225438	23217	Bobbin Winder Frame Oil Well Cap for 225453.....
225444	23217	Bobbin Winder Stop Latch for 259431.....
225453	23217	" " Frame with 202277 and 225438, for 259431.....

From the Gray's Patent and Machine Co.

NUMERICAL LIST OF PARTS

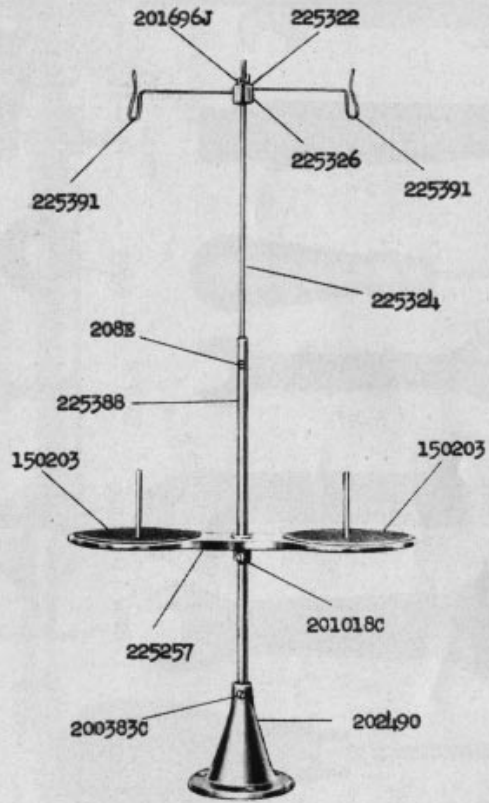
No.	Plate	Name
225454	23217	Bobbin Winder Frame Hinge Pin for 259431
225455	23217	" " " Spring for 259431...
225456	23217	" " " Plunger for 259431.....
225458	23217	Bobbin Winder Stop Latch Thumb Lever for 259431.....
225459	23217	Bobbin Winder Stop Latch Thumb Lever Hinge Stud for 259431.....
225459	23217	Bobbin Winder Stop Latch Thumb Lever Joint Stud for 259431.....
225461	23217	Bobbin Winder Tension Bracket with 201499B, for 225462.....
225462	23217	Bobbin Winder Tension Bracket complete for 259431, Nos. 13710, 201572B, 225461 and two 2102.....
228026	23217	Bobbin Winder Tension Bracket Screw Washer for 259431.....
259428	23217	Bobbin Winder Brake (leather) for 259431
259429	23217	" " " Clamp for 259431....
259430	23217	" " and Tension Bracket Base for 259431.....
259431	23217	Bobbin Winder (swinging automatic, right hand) complete, for power table, for round belt, Nos. 200056E, 200082D, 200113F, 200299H, 202478, 225368, 225381, 225444, 225453 to 225456, 225458, 225462, 228026, 259428 to 259430, two each 225459 and wood screws 3/4 in. No. 12 R.H.B.....
350104C	24056	Roller Screw for 51898 to 51903.....

Genuine Singer Needles should be used
in Singer Machines.
These Needles and their Containers
are marked with the
Company's Trade Mark "SIMANCO." 1

Needles in Containers marked
"For Singer Machines"
are not Singer made needles. 2

22248 - 1/6

225258

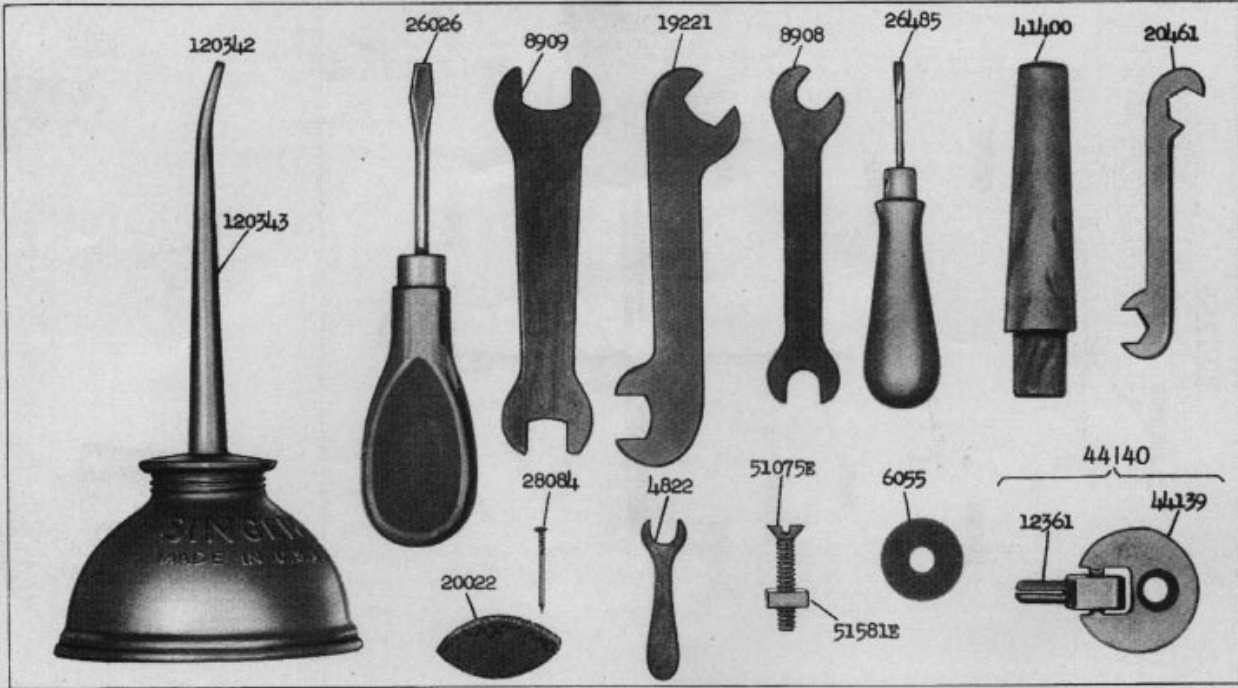


27739

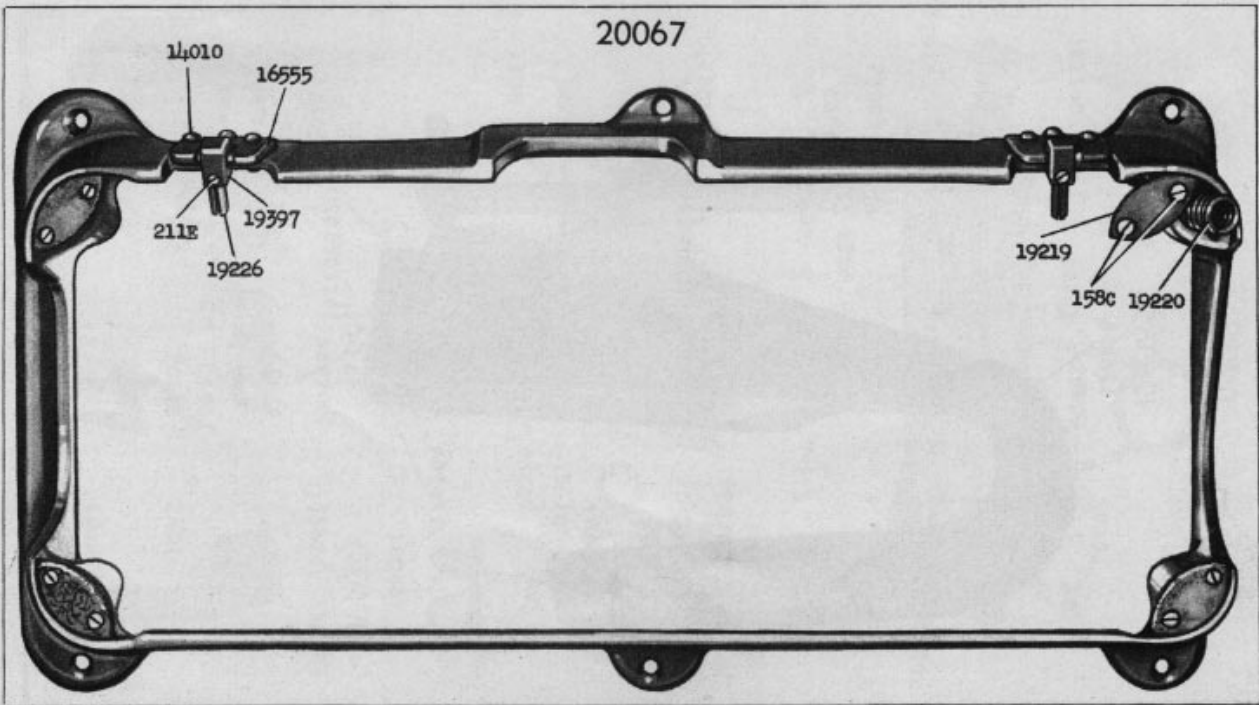


225390



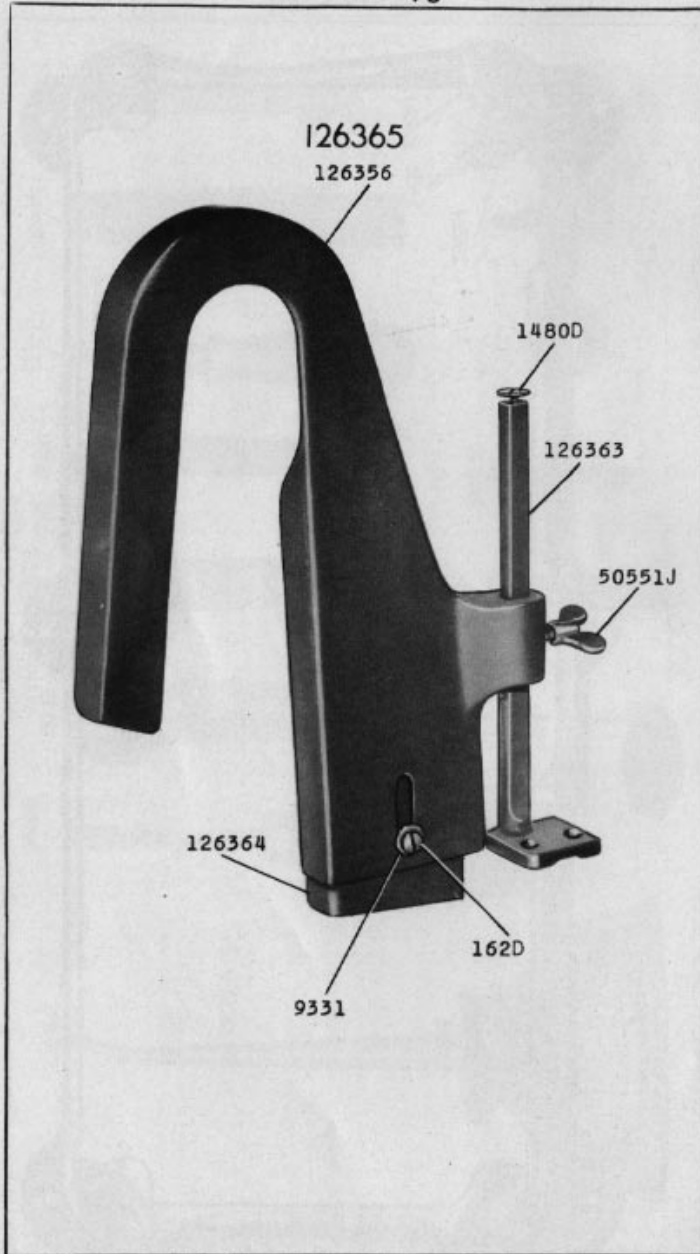


22308 - 1/2

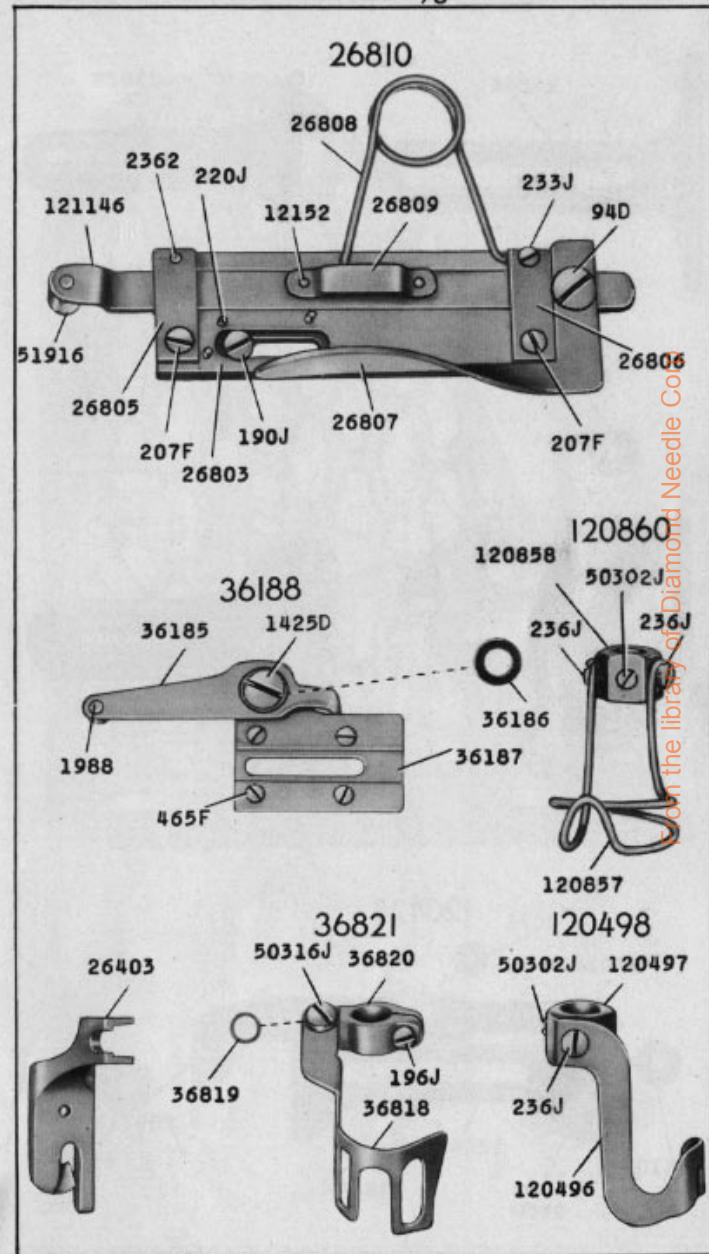


22309 - 1/3

22332 - 1/3

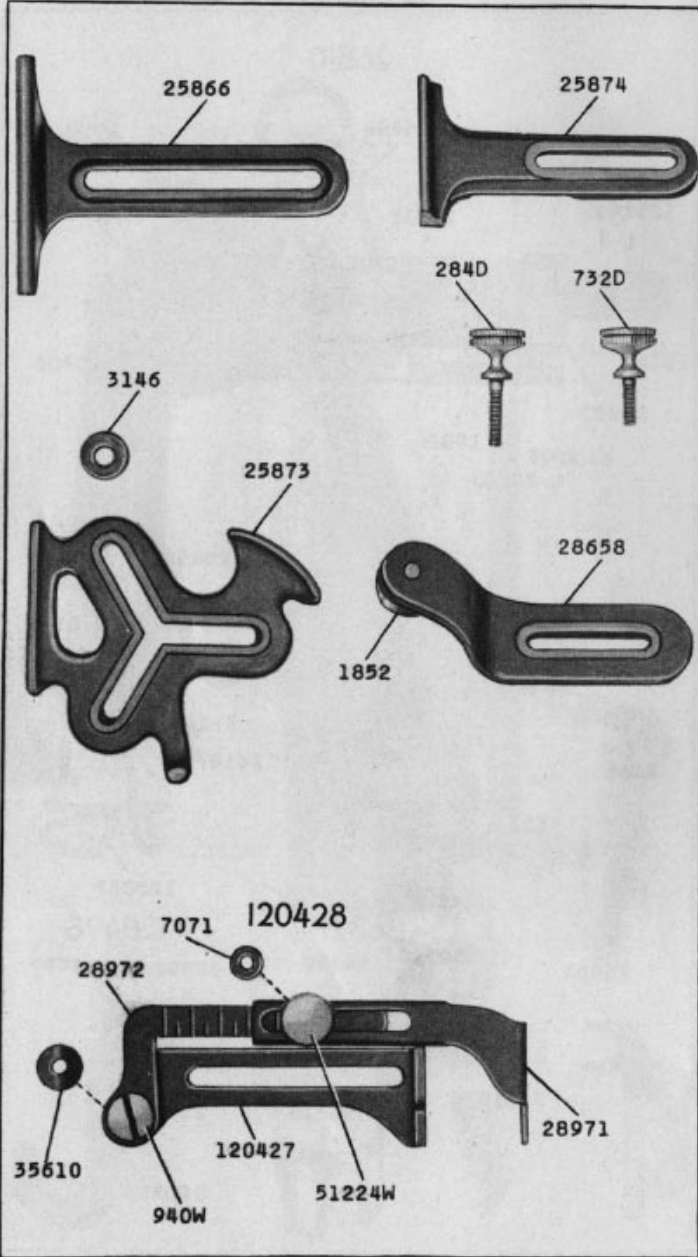


22336 - 2/3

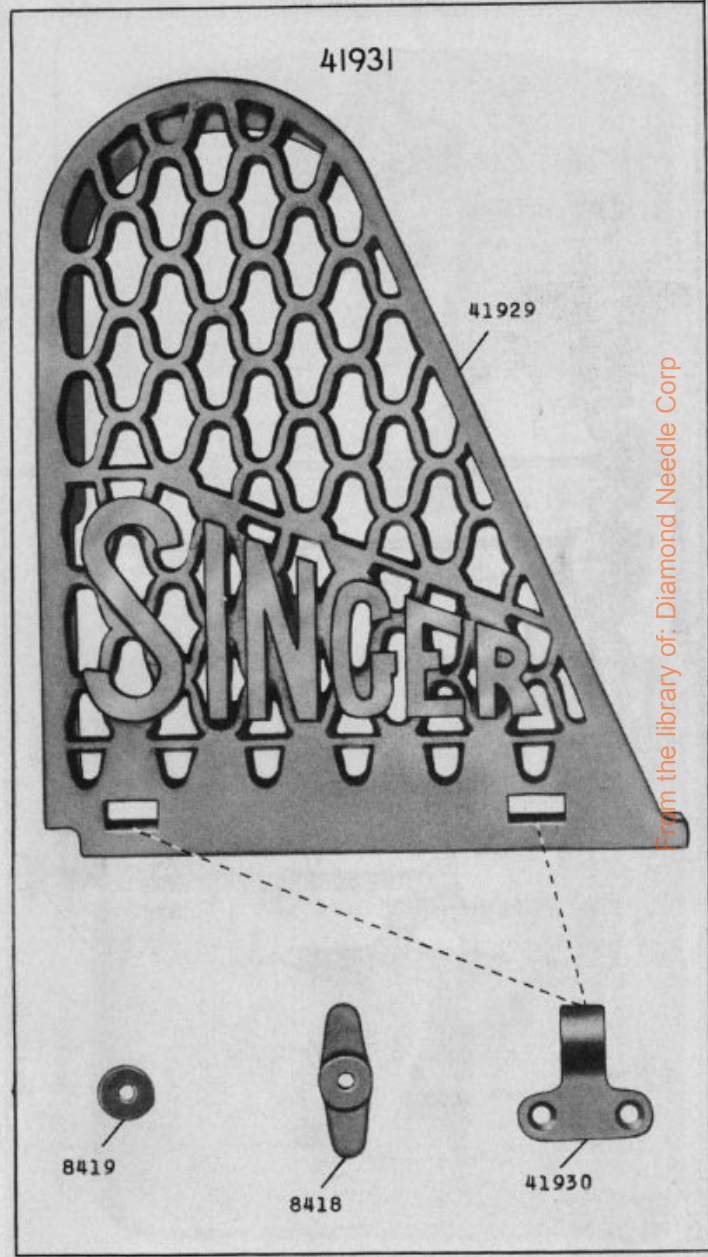


From the library of Diamond Needle Co

22337 - 2/3

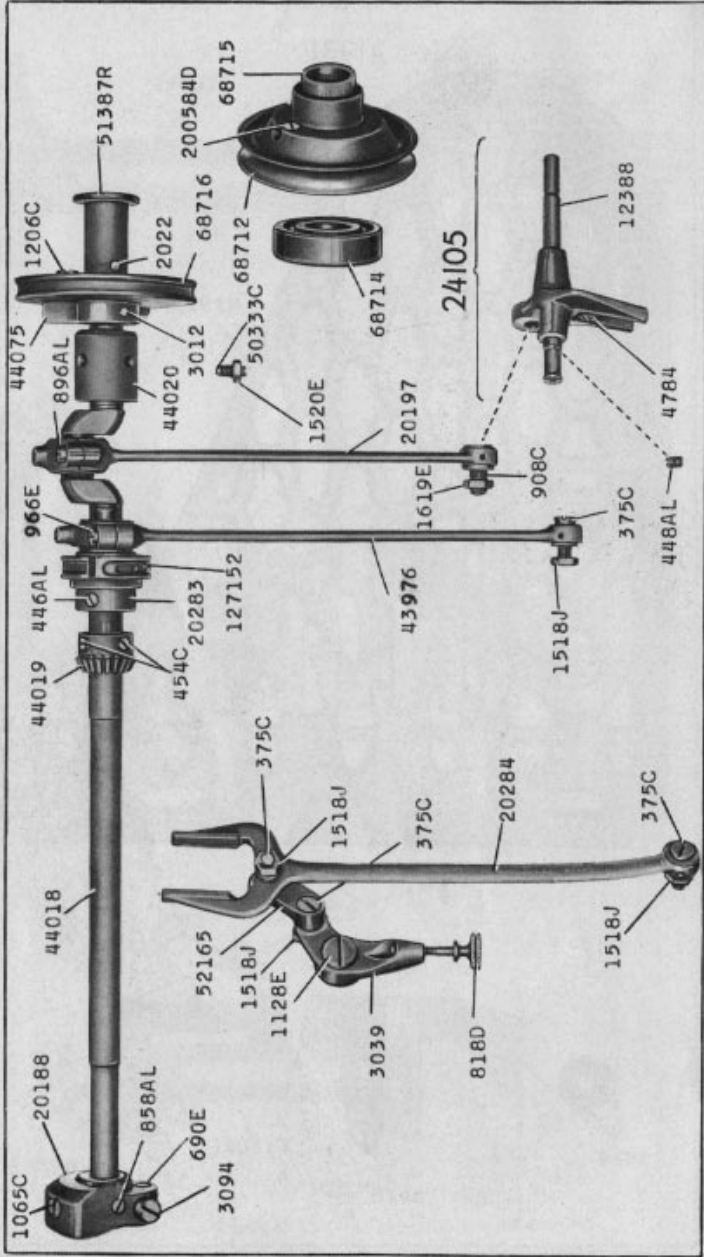


22343 - 1/2

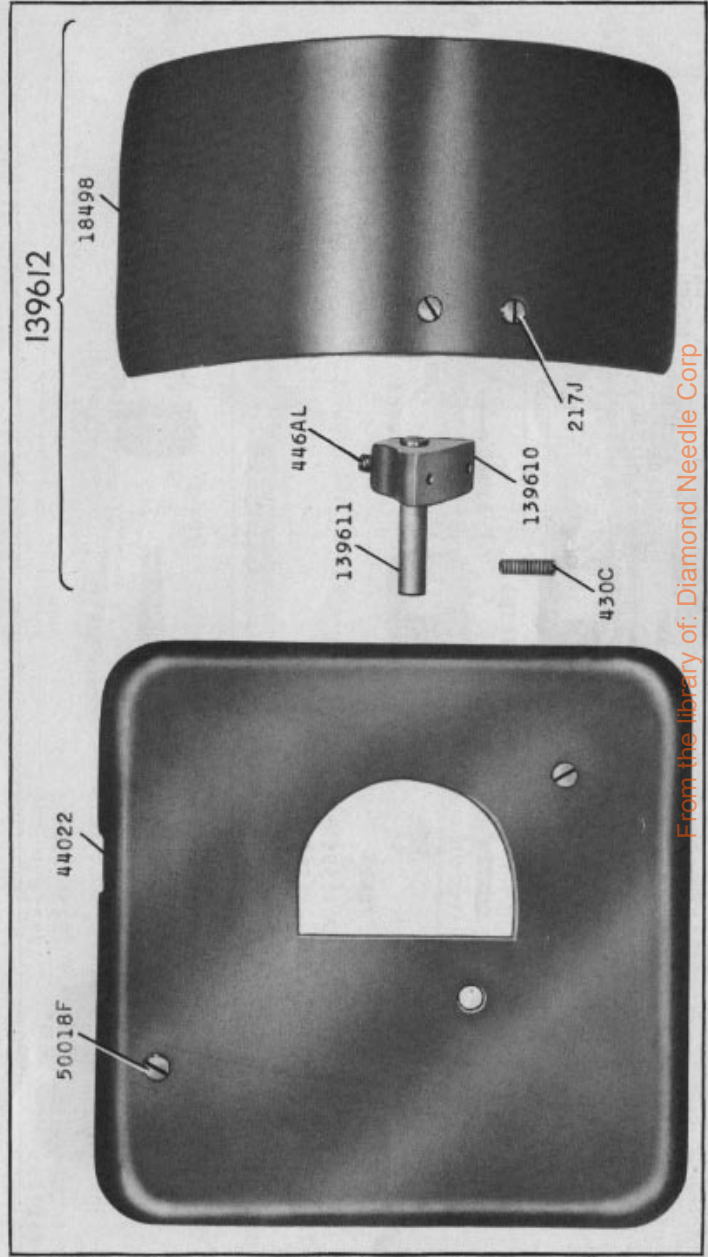


From the library of: Diamond Needle Corp

22344 - 1/3

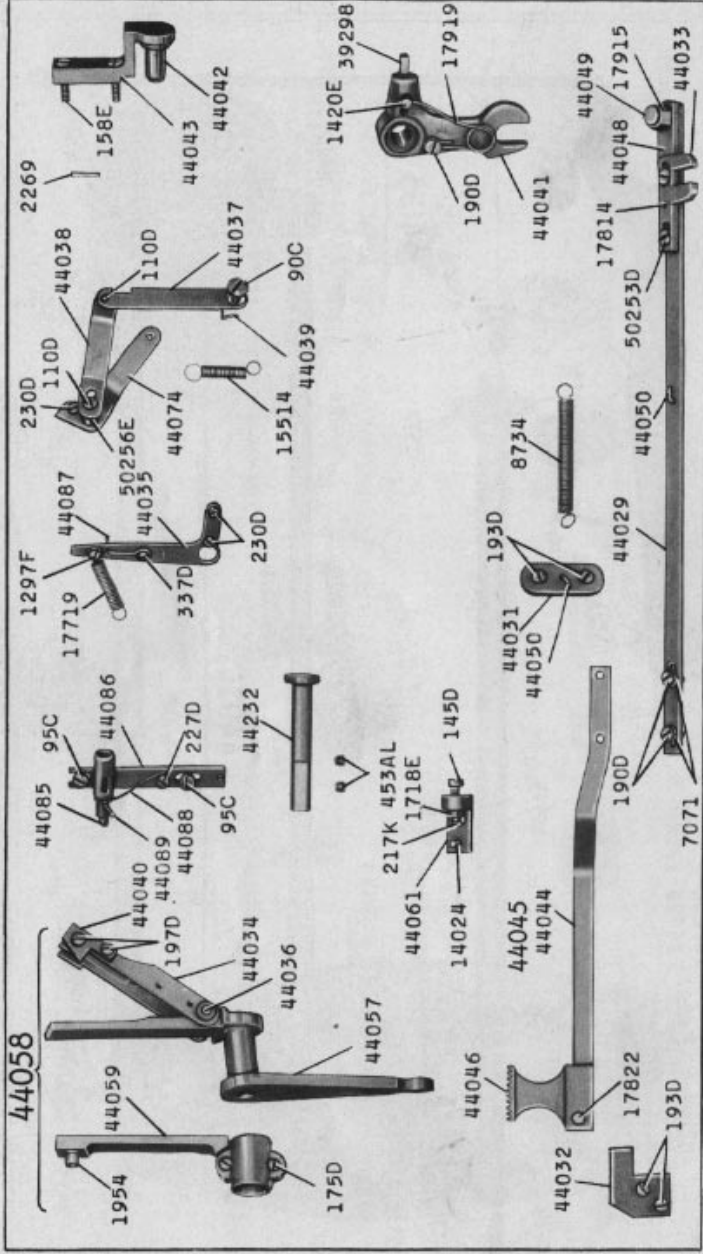


22345 - 1/2

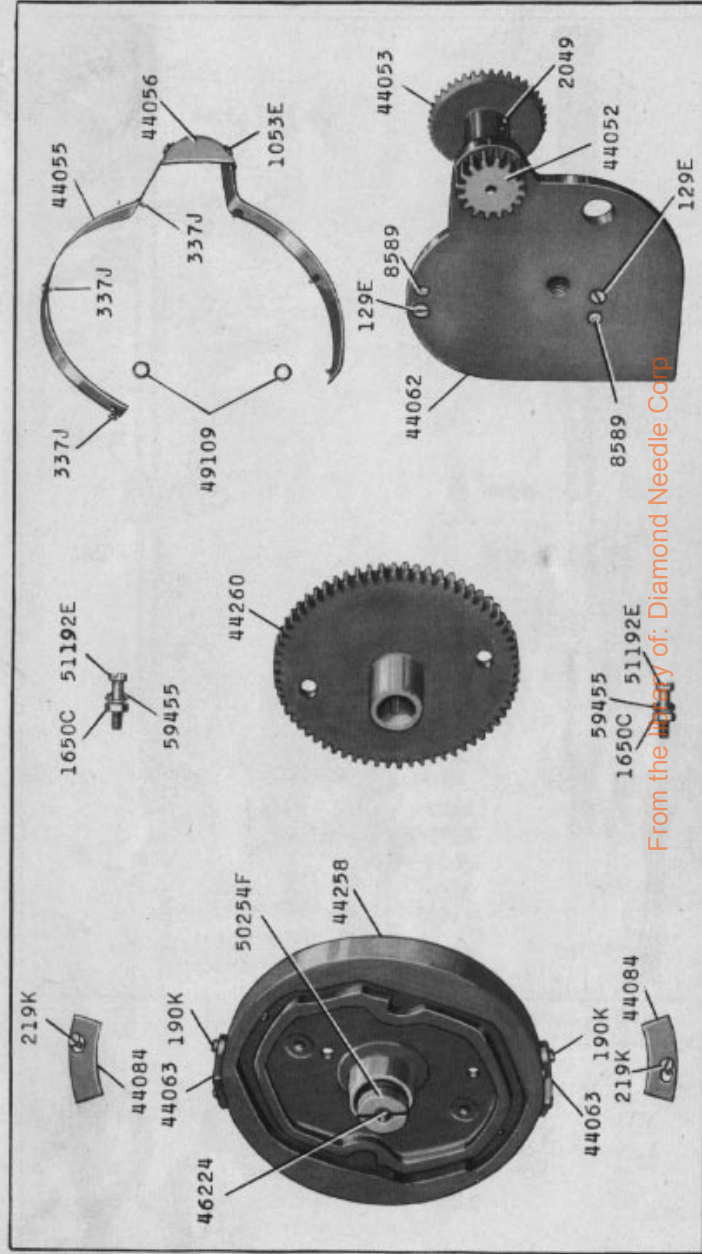


From the library of: Diamond Needle Corp

22348 - 1/3

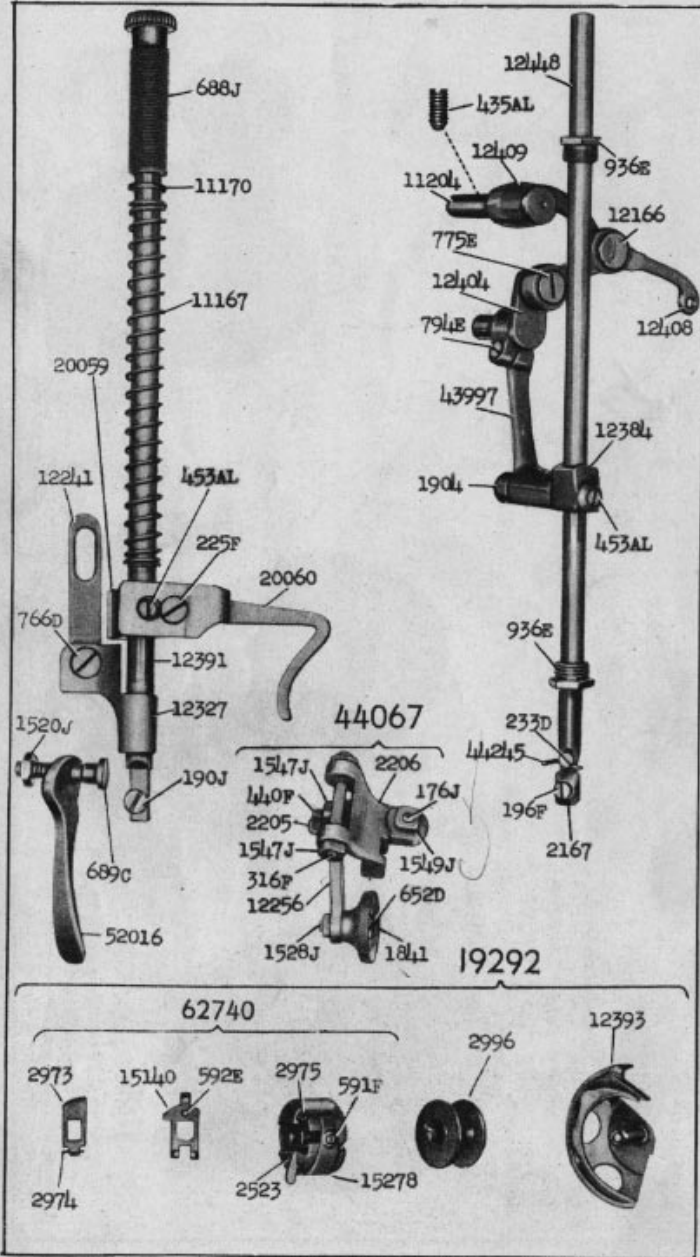


22349 - 1/3

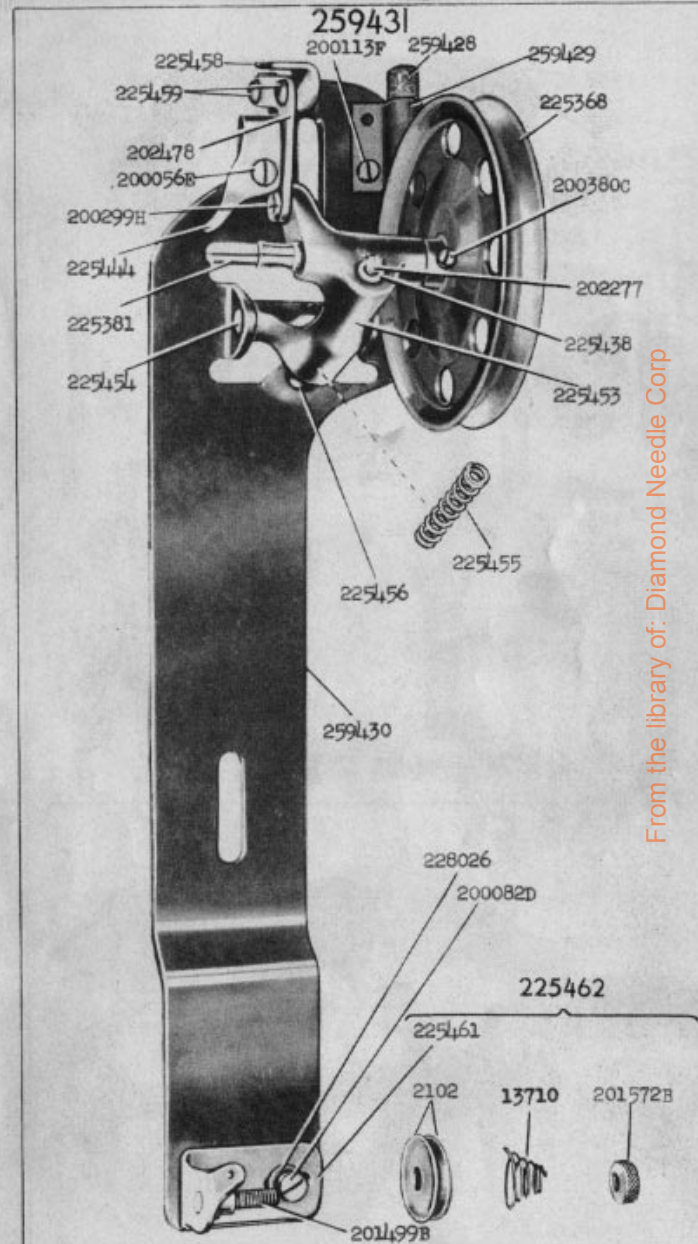


From the library of: Diamond Needle Corp

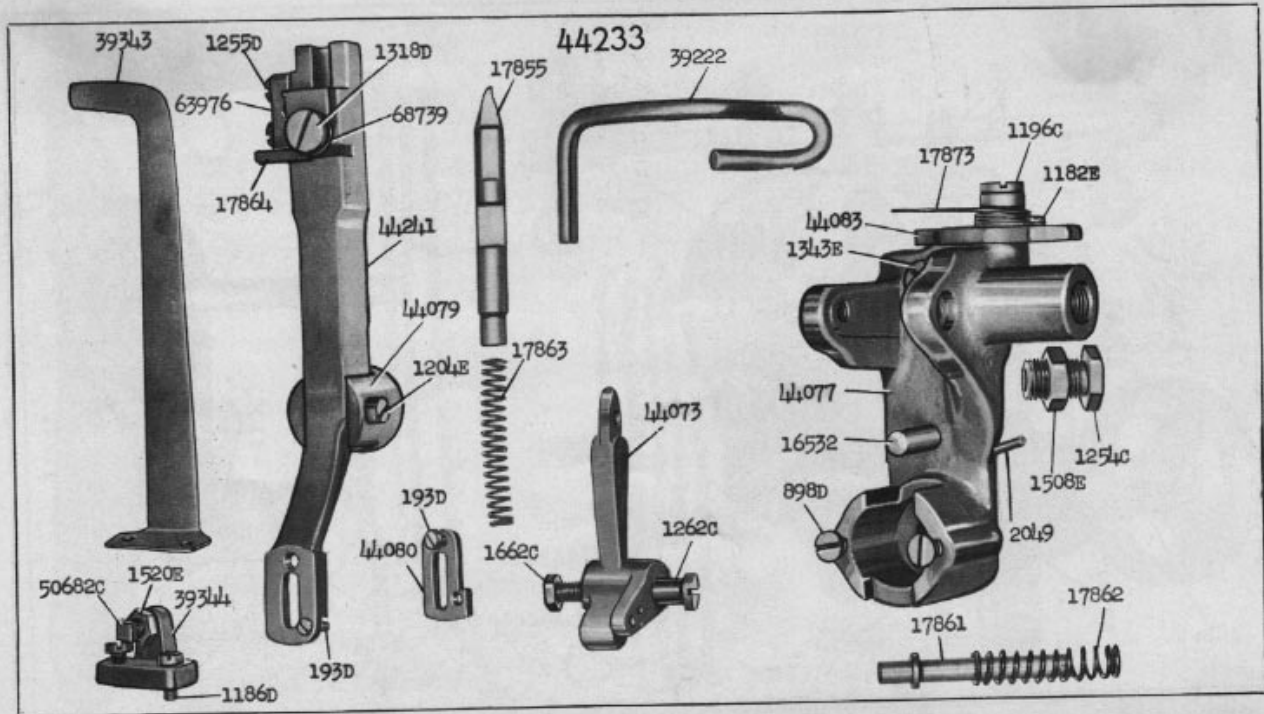
22350 - 1/2



23217 - 1/2



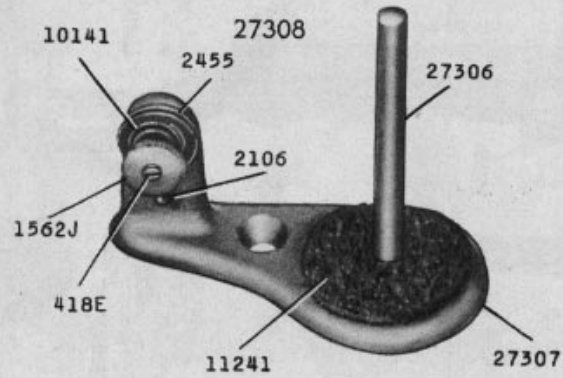
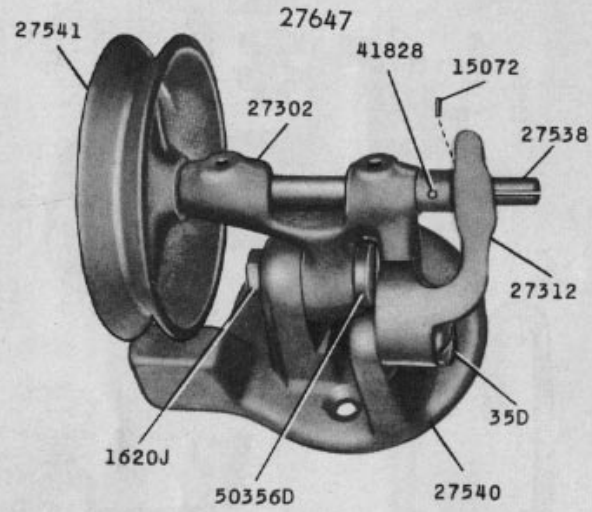
From the library of: Diamond Needle Corp

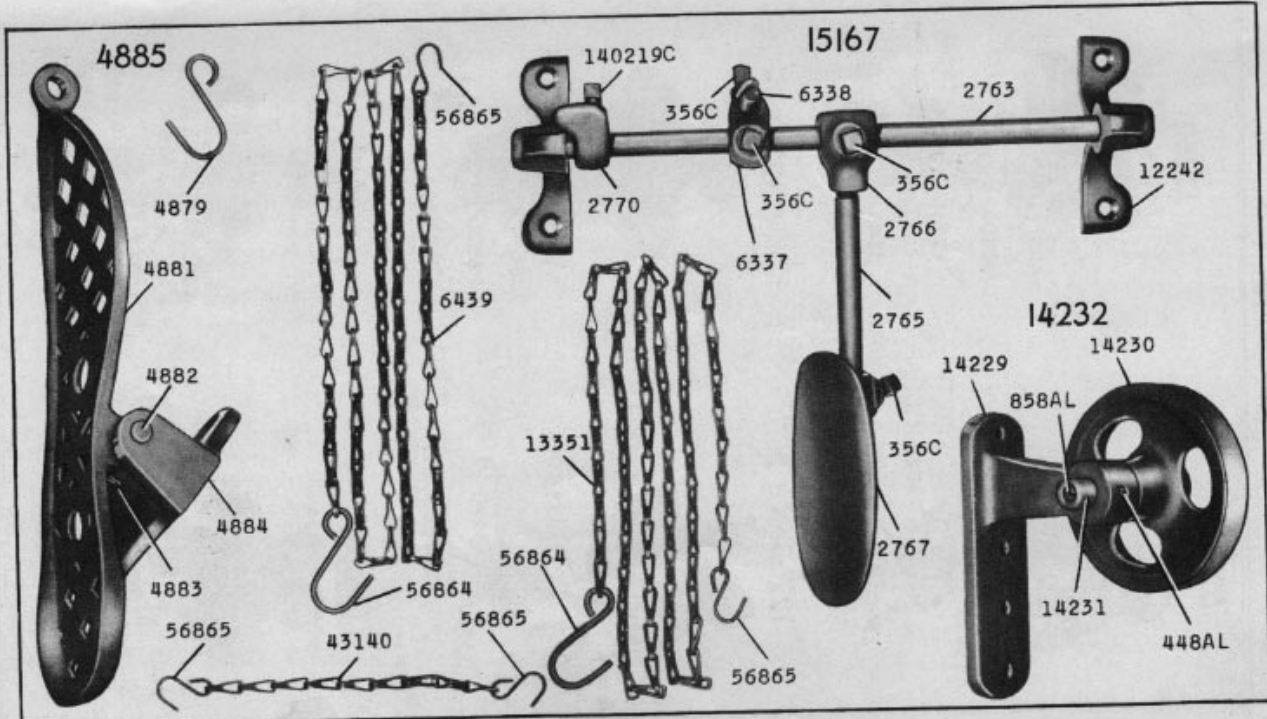


24052 - 2/3

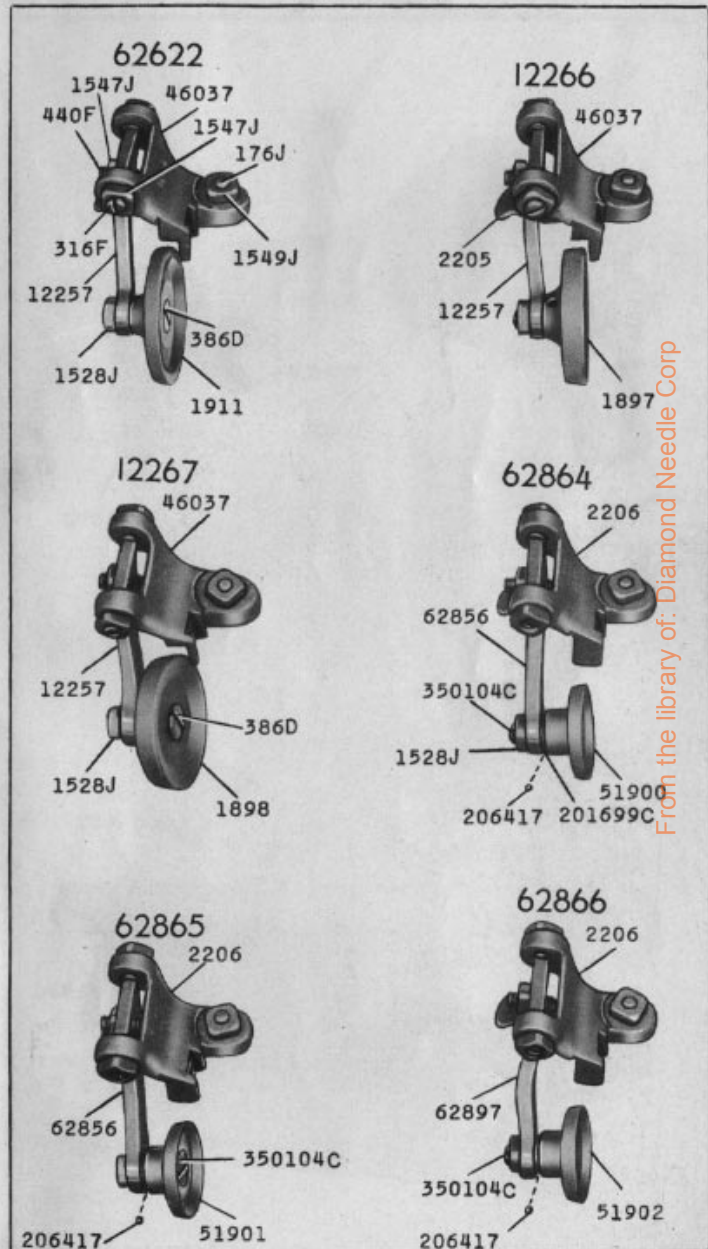
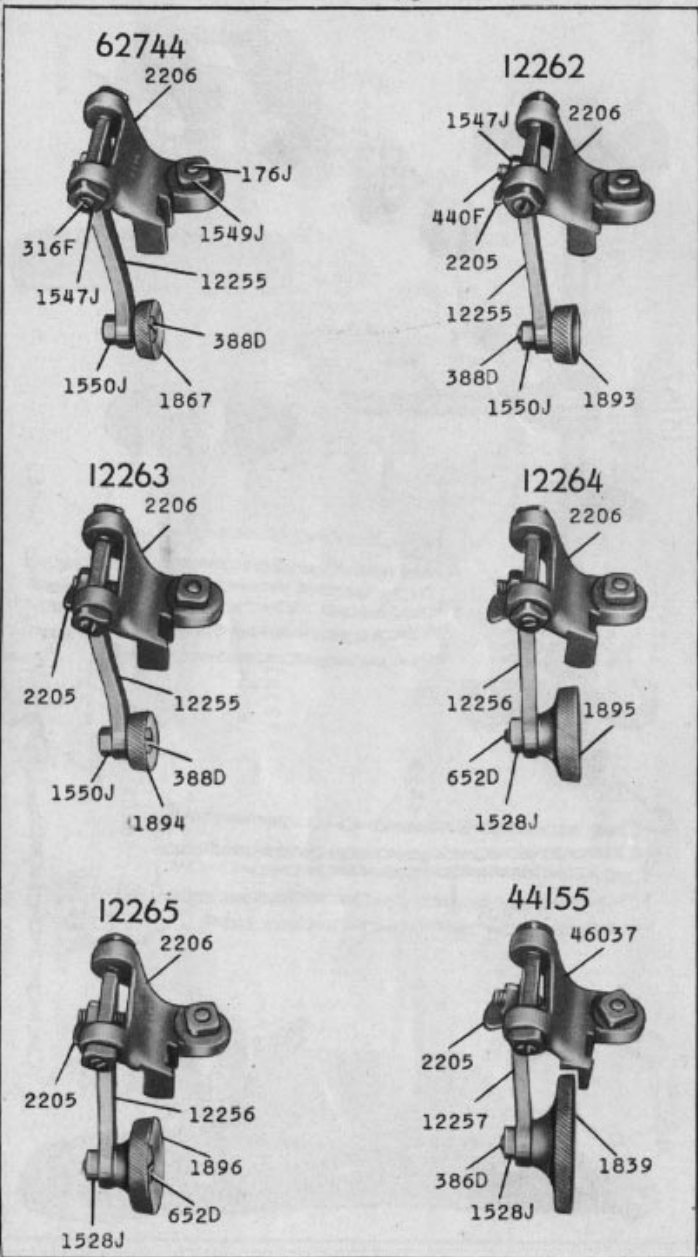
24053 - 2/3

27544



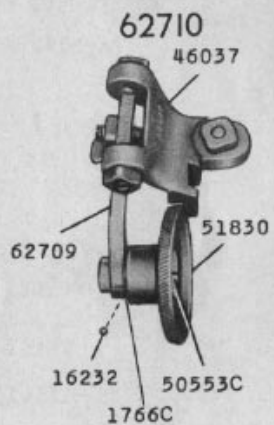
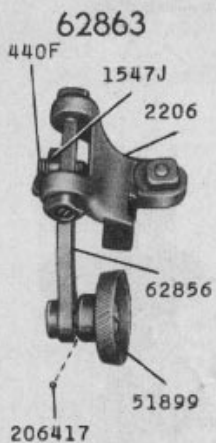
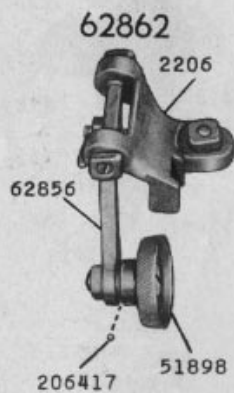
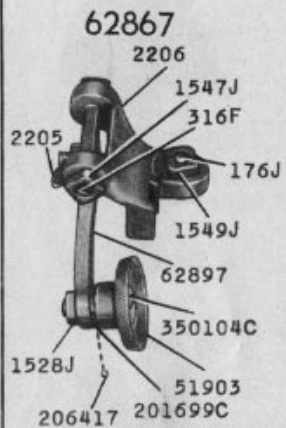


24054 - 1/3



From the library of: Diamond Needle Corp

24057 - 2/3



24058 - 1/3



From the library of: Diamond Needle Corp